

CANDY

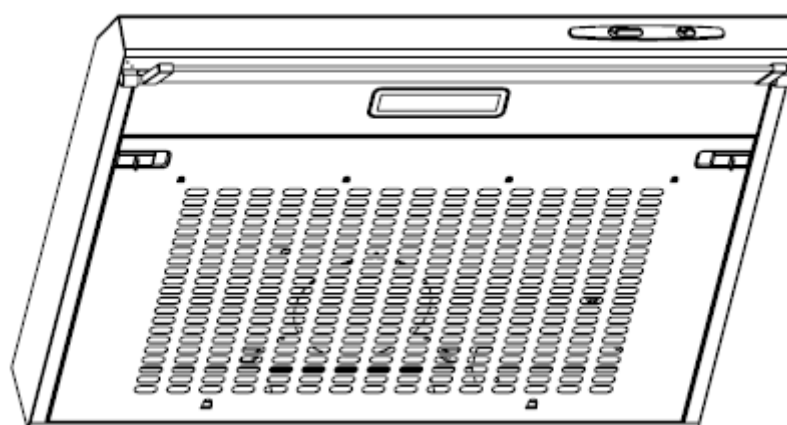
CFT610/5X/P

CFT610/4W/P

CFT610/5S/P

Cooker Hood

Instruction Manual



Content

1.....	Safety instructions
2.....	Installation
3.....	Start using your cooker hood
4.....	Troubleshooting
5.....	Maintenance and cleaning
6.....	Environment protection

SAFETY INSTRUCTIONS

This manual explains the proper installation and use of your cooker hood, please read it carefully before using even if you are familiar with the product. The manual should be kept in a safe place for future reference.

Never to do:

- Do not try to use the cooker hood without the grease filters or if the filters are excessively greasy!
- Do not install above a cooker with a high level grill.
- Do not leave frying pans unattended during use because overheated fats or oils might catch fire.
- Never leave naked flames under the cooker hood.



- If the cooker hood is damaged, do not attempt to use.
- Do not flambé under the cooker hood.
- CAUTION: Accessible parts may become hot when used with cooking appliances.
- The minimum distance between the supporting surface for the cooking vessels on the hob and the lowest part of the cooker hood. (When the cooker hood is located above a gas appliance, this distance shall be at least 65 cm)
- The air must not be discharged into a flue that is used for exhausting fumes from appliances burning gas or other fuels. Range hoods and other cooking fume extractors may adversely affect the safe operation of appliances burning gas or other fuels (including those in other rooms) due to back flow of combustion gases. These gases can potentially result in carbon

monoxide poisoning. After installation of a range hood or other cooking fume extractor, the operation of open flued gas appliances should be tested by a competent person to ensure that back flow of combustion gases does not occur.



Always to do:

- Important! Always switch off the electricity supply at the mains during installation and maintenance such as light bulb replacement.
- The cooker hood must be installed in accordance with the installation instructions and all measurements followed.
- All installation work must be carried out by a competent person or qualified electrician.
- Please dispose of the packing material carefully. Children are vulnerable to it.
- Pay attention to the sharp edges inside the cooker hood especially during installation and cleaning.
- Make sure the ducting has no bends sharper than 90 degrees as this will reduce the efficiency of the cooker hood.
- Warning: Failure to install the screws or fixing device in accordance with these instructions may result in electrical hazards.

- **Warning:** Before obtaining access to terminals, all supply circuits must be disconnected.

Always to do:

- Always put lids on pots and pans when cooking on a gas cooker.
- When in extraction mode, air in the room is being removed by the cooker hood. Please make sure that proper ventilation measures are being observed. The cooker hood removes odours from room but not steam.
- There shall be adequate ventilation of the room when the cooker hood is used at the same time as appliances burning gas or other fuels.
- Cooker hood is for domestic use only.



- If the supply cord is damaged, it must be replaced by the manufacturer, its service agent or similarly qualified persons in order to avoid a hazard.
- This appliance can be used by children aged from 8 years and above and persons with reduced physical, sensory or mental capabilities or lack of experience and knowledge if they have been given supervision or instruction concerning use of the appliance in a safe way and understand the hazards involved. Children shall not play with the appliance. Cleaning and user maintenance shall not be made by children without supervision.

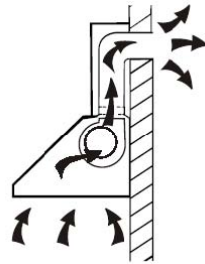


Always to do:

- **Caution:** The appliance and its accessible parts can become hot during operation. Be careful to avoid touching the heating elements. Children younger than 8 years old should stay away unless they are under permanent supervision.
- There is a fire risk if cleaning is not carried out in accordance with the instructions.
- Regulations concerning the discharge of air have to be fulfilled.
- Clean your appliance periodically by following the method given in the chapter MAINTENANCE.
- For safety reason, please use only the same size of fixing or mounting screw which are recommended in this instruction manual.
- Regarding the details about the method and frequency of cleaning, please refer to maintenance and cleaning section in the instruction manual.
- Cleaning and user maintenance shall not be made by children without supervision.
- When the cooker hood and appliances supplied with energy other than electricity are simultaneously in operation, the negative pressure in the room must not exceed 4 Pa (4×10^{-5} bar).
- **WARNING:** Danger of fire: do not store items on the cooking surfaces.
- A steam cleaner is not to be used.
- **NEVER** try to extinguish a fire with water, but switch off the appliance and then cover flame e.g. with a lid or a fire blanket.

INSTALLATION(VENT OUTSIDE)

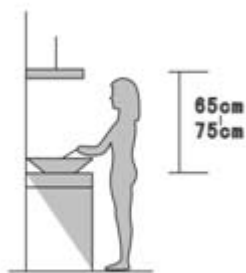
If you have an outlet to the outside, your cooker hood can be connected as below picture by means of an extraction duct (enamel, aluminum, flexible pipe or non-flammable material with an interior diameter of 120mm)



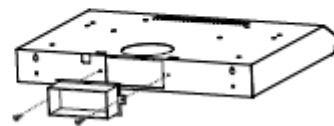
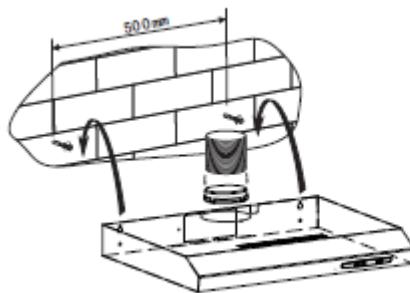
1. Before installation, turn the unit off and unplug it from the outlet..



2. The cooker hoods should be placed at a distance of 65-75cm from the cooking surface for best effect. See pic 1.

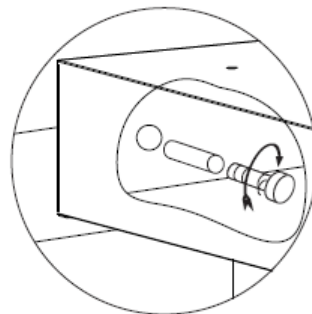
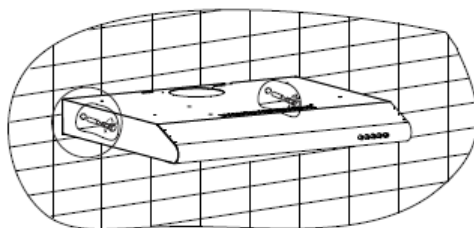


PIC 1



Pic 2

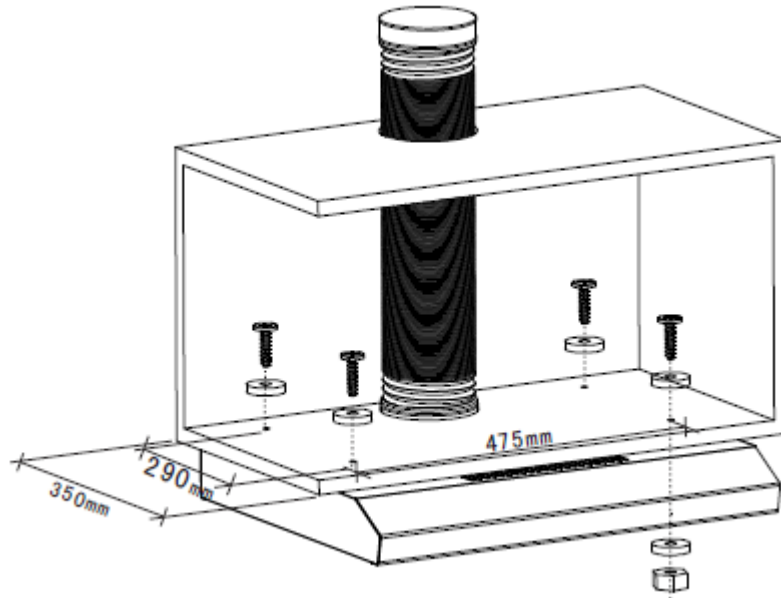
3. To install onto the wall, drill 2 holes of $\text{Ø } 8\text{mm}$ on a suitable place according with the centre distance of hole in the back of the cooker hood. See pic 2
4. Insert the wall plugs into the holes.
5. Insert the ST4*30mm screws into the wall plugs and tight.
6. Put up the cooker hood onto the fixed screws.
7. Then use the attached accessories enclosed to turn the safety screws into the two holes of inside the hood, and then fix the screws to tighten the hood onto the wall. See picture below.



8. Put the expansion pipe on the outlet, then lead it to outdoor, or use the outlet cover to seal the outer outlet and open the inner exhaust valve. Note: the expansion pipe is not supplied.

Method B:

1. Drill 4 holes of Ø 6mm at the bottom of the hanging cupboard. See pic below.

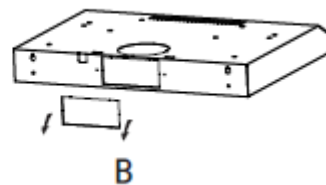
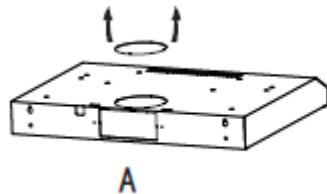


2. Install the cooker hood on the bottom of the cupboard, tighten the cooker hood with enclosed M4 screws + flat washers.
3. Put the expansion pipe on the outlet, then lead it to outdoor. Note: the expansion pipe is not supplied.

Noice: There are 2 methods for ventilation, including 'horizontal ventilation' and 'vertical ventilation'. Please pay attention to the ventilation method when installation.

Horizontal ventilation: See pic A, please use the tool to knock out the outlet cover on the top, then the air can be vented from top.

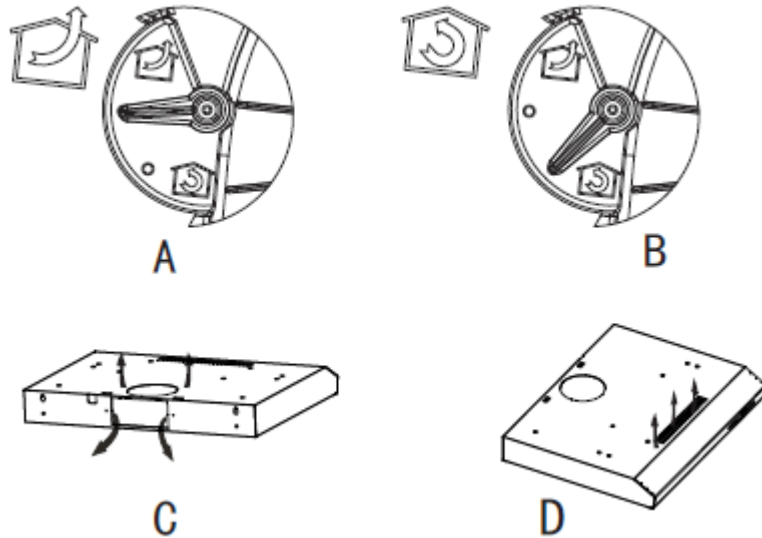
Vertical ventilation: See pic B, please use the tool to knock out the outlet cover on the back, then the air can be vented from back.




Air ventilation setting

Outdoor air ventilation: Turn the adjuster to outdoor position(pic A), install the outlet, turn on the cooker hood, then the air will be vented from the outside outlet.

Indoor air ventilation: Turn the adjuster to indoor position (pic B), install the outlet cover, turn on the cooker hood, then the air can be vented from the inside outlet.



<p>WARNING:</p> 	<ul style="list-style-type: none">➤ For safety reason, please use only the same size of fixing or mounting screws which are recommended in this instruction manual.➤ Failure to install the screws or fixing device in accordance with these instructions may result in electrical hazards.
---	--

Start Using Your Cooker Hood

Toggle switch



1.Lamp – Turn on/off light

“O” – to switch off light

“1” – to switch on light

Power – Slide out drawer, power on; slide in drawer, power off.

2 .Speed –select speed to suit cooking conditions

“O” – to switch off motor

Low(1)– light frying/boiling

Medium(2) – frying/wok cooking/heavy boiling

High (3) – grilling, intensive frying and wok cooking

Power – Slide out drawer, power on; slide in drawer, power off.

TROUBLESHOOTING

Fault	Possible Cause	Solution
Light on, but motor does not work	Fan switch turned off	Select a fan switch position.
	Fan switch failed	Contact service center.
	Motor failed	Contact service center.
Light does not work, motor does not work	House fuses blown	Reset/Replace fuses.
	Mains power cable is loose or disconnected	Refit mains power cable to power outlet. Switch power outlet on.
Oil leakage	One way valve and the outlet are not tightly sealed	Take down the one way valve and seal with sealant.
	Leakage from the connection of chimney and cover	Take chimney down and seal.
Lights not working	Broken or faulty bulbs	Replace bulbs as per this instruction.
Insufficient suction	The distance between the cooker hood and the gas top is too far	Refit the cooker hood to the correct distance.
The Cooker hood inclines	The fixing screw is not tight enough	Tighten the hanging screw and make it horizontal.

NOTE:



Any electrical repairs to this appliance must conform to your local, state and federal laws. Please contact the service centre if in any doubt before undertaking any of the above. Always disconnect the unit from the power source when opening the unit.

MAINTENANCE AND CLEANING

Caution:

- Before maintenance or cleaning is carried out, the cooker hood should be disconnected from the mains power supply. Ensure that the cooker hood is switched off at the wall socket and the plug removed.



- External surfaces are susceptible to scratches and abrasions, so please follow the cleaning instructions to ensure the best possible result is achieved without damage.

GENERAL

Cleaning and maintenance should be carried out with the appliance cold especially when cleaning. Avoid leaving alkaline or acid substances (lemon juice, vinegar etc.) on the surfaces.

STAINLESS STEEL

The stainless steel must be cleaned regularly (e.g. weekly) to ensure long life expectancy. Dry with a clean soft cloth. A specialized stainless steel cleaning fluid may be used.

NOTE:

Ensure that wiping is done along with the grain of the stainless steel to prevent any unsightly crisscross scratching patterns from appearing.

CONTROL PANEL SURFACE

The inlay control panel can be cleaned using warm soapy water. Ensure the cloth is clean and well wrung before cleaning. Use a dry soft cloth to remove any excess moisture left after cleaning.

Important

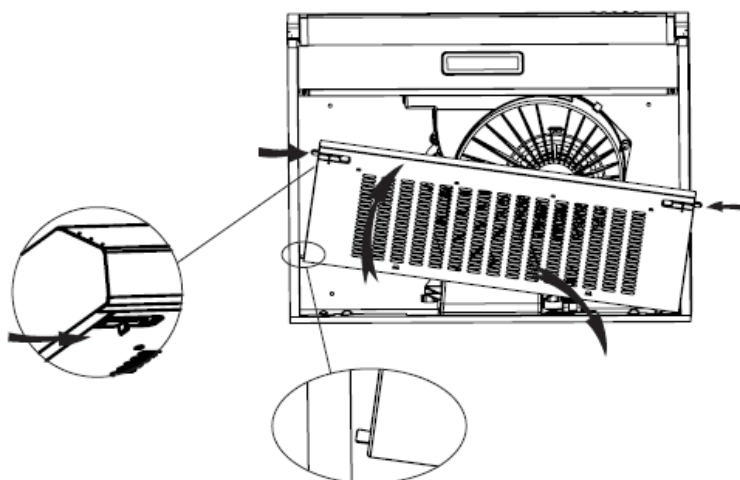
Using neutral detergents and avoid using harsh cleaning chemicals, strong household detergents or products containing abrasives, as this will affect the appearance of the appliance and potentially remove any printing of artwork on the control panel and will void manufacturer's warranty.

GREASE MESH FILTERS

The mesh filters can be cleaned by hand. Soak them for about 3 minutes in water with a mild detergent and then brush it gently with a soft brush. Do not apply too much pressure so as to avoid any damage to it. (Leave to dry naturally out of direct sun light) Filters should be washed separately to crockery and kitchen utensils. It is advisable not to use rinse aid.

● Removing grease mesh filters

- a. Push the grease mesh filter buckles forward and remove the front of the filters.
- b. Then push the left or right lower side stops of the filter up until the hanging point at one side stop is not hanging the hood cavity.
- c. Finally, take the whole mesh filters away.



- **Installing grease mesh filters**

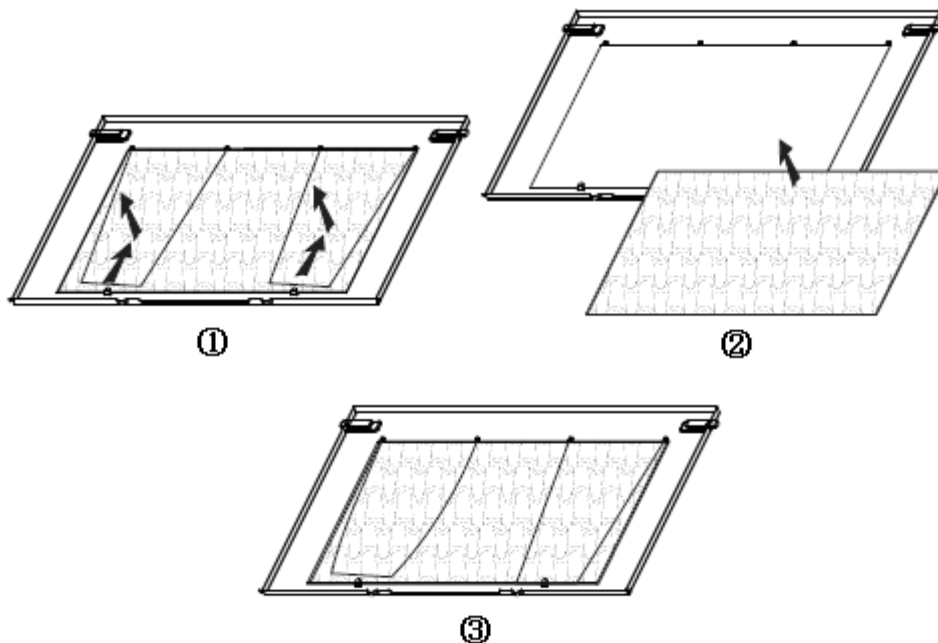
- To install filters for the following four steps:

- Angle the filter into slots at the back of the hood.
- Push the button on handle of the filter.
- Release the handle once the filter fits into a resting position.
- Repeat to install all filters.

CARBON FILTER

Activated carbon filter can be used to trap odors. Normally the activated carbon filter should be changed every 3 to 6 months according to your cooking habits. The installation procedure of activated carbon filter is as below:


1. Remove the grease filter.
2. Place the carbon filter onto the grease filter.
3. Fix the properly-adjusted carbon filter with the small steel wire.
4. Reinstall the grease filter.
5. Use carbon filters for recirculation mode only.



NOTE:

- Make sure the filter is securely locked. Otherwise, it would loosen and cause danger.
- When activated carbon filter attached, the suction power will be lowered.

BULB REPLACEMENT

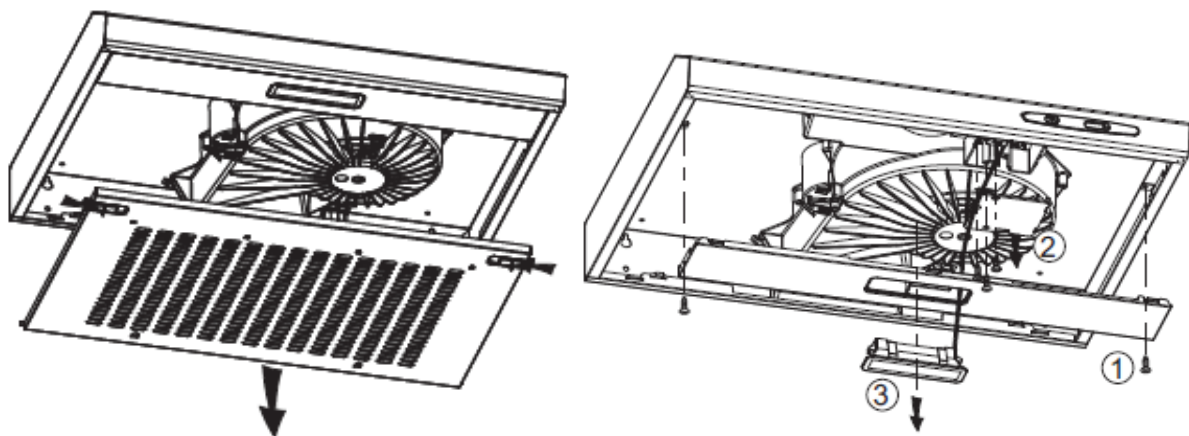
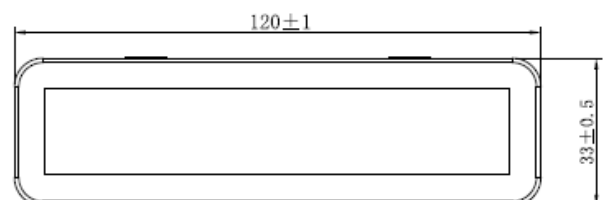
<p>Important :</p> 	<ul style="list-style-type: none">✧ The bulb must be replaced by the manufacturer, its service agent or similarly qualified persons.✧ Always switch off the electricity supply before carrying out any operations on the appliance. When handling bulb, make sure it has completely cooled down before any direct contact with hands.✧ When handling bulbs hold with a cloth or gloves to ensure perspiration does not come in contact with the bulb as this can reduce the life of the bulb.
--	---

Note:


- Before changing the lights, make sure that the appliance is turned off and unplugged.
- Protect against danger when changing lights, such as wearing gloves.

Changing the lights:

- Remove the grease filter.
- Loosen the 2pcs ST4*8mm screws from the lighting panel, then take out the lighting fixture.
- Disassembly the 3pcs ST3*12mm screws on the terminal box cover and take down the wire cover.
- Pull out the terminal from the PCB terminal block, disconnect the wire connector and replace the lamp.
- ILCOS D code for this lamp is: **DBS-2/65-H-120/33**
 - LED modules –rectangle lamp
 - Max wattage: 1×2 W
 - Voltage range: AC 110-240V
 - Dimensions:



ENVIRONMENTAL PROTECTION:

	<p>This appliance is labelled in accordance with European Directive 2012/19/EU on Waste Electrical and Electronic Equipment Regulations 2013 regarding electric and electronic appliances (WEEE). The WEEE contain both polluting substances (that can have a negative effect on the environment) and base elements (that can be reused). It is important that the WEEE undergo specific treatments to correctly remove and dispose of the pollutants and recover all the materials. Individuals can play an important role in ensuring that the WEEE do not become an environmental problem; it is essential to follow a few basic rules:</p> <ul style="list-style-type: none">- the WEEE should not be treated as domestic waste;- the WEEE should be taken to dedicated collection areas managed by the town council or a registered company. <p>In many countries, domestic collections may be available for large WEEEs. When you buy a new appliance, the old one can be returned to the vendor who must accept it free of charge as a one-off, as long as the appliance is of an equivalent type and has the same functions as the purchased appliance.</p>
---	--

NOTE:

The following shows how to reduce total environmental impact (e.g. energy use) of the cooking process).

- (1) Install the cooker hood in a proper place where there is efficient ventilation.
- (2) Clean the cooker hood regularly so as not to block the airway.
- (3) Remember to switch off the cooker hood light after cooking.
- (4) Remember to switch off the cooker hood after cooking.

INFORMATION FOR DISMANTLING

Do not dismantle the appliance in a way which is not shown in the user manual. The appliance could not be dismantled by user. At the end of life, the appliance should not be disposed of with household waste. Check with your Local Authority or retainer for recycling advice.

CANDY

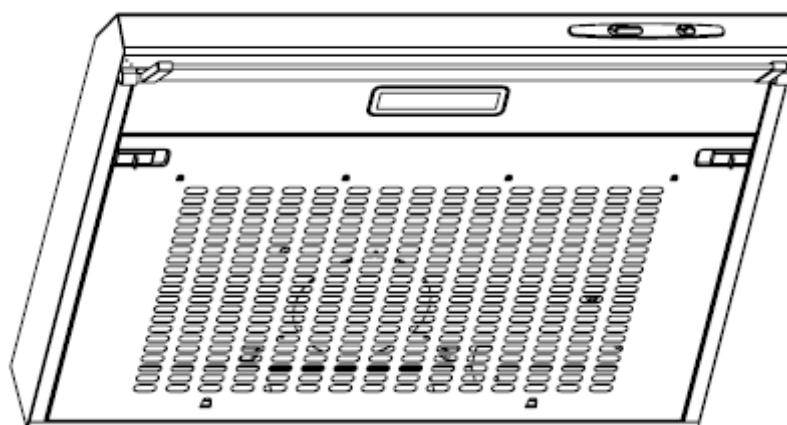
CFT610/5X/P

CFT610/4W/P

CFT610/5S/P

Hotte de cuisson

Manuel d'instructions



Sommaire

- 1 Consignes de sécurité
- 2 Installation (évacuation externe)
- 3 Comment utiliser votre hotte de cuisson
- 4 Dépannage
- 5 Entretien et nettoyage
- 6 Protection environnementale :

CONSIGNES DE SECURITE

Ce manuel indique comment installer votre hotte de cuisson et comment vous en servir. Avant toute utilisation, veuillez le lire attentivement, même si vous connaissez déjà ce produit. Conservez ce manuel dans un endroit sûr, pour pouvoir le consulter par la suite.

Avertissements :

- N'utilisez pas la hotte sans filtres à graisse ou si les filtres sont trop encrassés !
- N'installez pas la hotte au-dessus d'une cuisinière ayant un gril élevé.
- Ne laissez pas de friture sans surveillance pendant l'utilisation de la hotte, car il existe un risque d'incendie dû à la surchauffe de graisse ou d'huile.
- Ne laissez jamais de flammes nues sous la hotte.



- Si la hotte est endommagée, ne l'utilisez pas.
- Ne pas faire flamber d'aliments sous la hotte.
- ATTENTION : Les pièces accessibles peuvent être chaudes lorsqu'elles sont utilisées avec des appareils de cuisson.
- Attention à la distance minimale entre la surface de support pour les récipients de cuisson sur la plaque et la partie la plus basse de la hotte. (Si la hotte de cuisson est installée au-dessus d'un dispositif fonctionnant au gaz, la distance minimum est 65 cm)
- L'air ne doit pas être évacué par un conduit utilisé pour l'évacuation des fumées d'autres appareils à gaz ou alimentés par d'autres carburants. Les hottes de cuisinière et autres extracteurs de fumées de cuisson

peuvent nuire au bon fonctionnement des appareils brûlant du gaz ou d'autres combustibles (y compris ceux d'autres pièces) en raison du reflux des gaz de combustion. Ces gaz peuvent potentiellement entraîner une intoxication au monoxyde de carbone. Après l'installation d'une hotte de cuisinière ou d'un autre extracteur de fumées de cuisson, le fonctionnement des appareils à gaz brûlé ouverts doit être testé par une personne compétente pour s'assurer qu'il n'y a pas de reflux de gaz de combustion.



Ne jamais oublier de :

- Important ! Veuillez toujours couper l'alimentation électrique au secteur pendant l'installation ou l'entretien, comme par exemple le remplacement d'une ampoule électrique.
- La hotte doit être installée conformément aux instructions d'installation et toutes les mesures doivent être respectées.
- Tout travail d'installation doit être effectué par une personne compétente ou un électricien qualifié.
- Veillez à élimination correcte des matériaux d'emballage. Ils peuvent représenter un danger pour les enfants.

Ne jamais oublier de :

- Faites bien attention aux bords aiguisés à l'intérieur de la hotte, notamment pendant l'installation et le nettoyage.
- Assurez-vous que le tuyau n'ait pas de courbure à plus de 90 degrés, car ceci diminuerait l'efficacité de la hotte.
- Avertissement : Le fait de ne pas installer les vis ou le dispositif de fixation conformément à ces instructions peut entraîner des risques électriques.
- Avertissement : Avant d'accéder aux appareils, tous les circuits d'alimentation doivent être coupés.
- toujours utiliser des couvercles sur les casseroles et poêles quand vous cuisinez avec une gazinière.
- en modalité d'extraction, l'air de la pièce est évacué par la hotte. Assurez-vous que la pièce soit bien aérée. Cette hotte élimine les odeurs de la pièce, mais pas la vapeur.
- Il faut une ventilation adéquate de la pièce lorsque la hotte est utilisée en même temps que des dispositifs fonctionnant au gaz ou à d'autres combustibles.
- La hotte est prévue uniquement pour un usage domestique.



- Si le câble d'alimentation est endommagé, il doit être remplacé par le fabricant, son agent d'entretien ou des personnes dotées du même type de qualification, afin d'éviter tout risque.

Ne jamais oublier de :

- Cet appareil peut être utilisé par des enfants âgés de 8 ans et plus, par des personnes dont les capacités physiques, sensorielles ou mentales sont réduites ou par des personnes dénuées d'expérience et de connaissances, mais qui ont été informées sur la manière d'utiliser l'appareil en toute sécurité, si elles comprennent les risques impliqués. Les enfants ne doivent pas jouer avec l'appareil. L'entretien et le nettoyage ne doivent pas être effectués par des enfants sans surveillance.



- Attention : L'appareil et ses parties accessibles chauffent pendant l'utilisation. Ne pas toucher les éléments chauds. Les enfants de moins de 8 ans doivent se tenir éloignés, à moins qu'ils ne soient sous surveillance permanente.
- Il existe un risque d'incendie si le nettoyage n'est pas réalisé conformément aux instructions.
- Les réglementations en matière d'évacuation de l'air doivent être respectées.
- Nettoyez votre appareil régulièrement en suivant la méthode indiquée au chapitre ENTRETIEN.
- Pour des raisons de sécurité, n'utilisez que des vis de fixation ou de montage de la taille indiquée dans ce manuel d'instructions.

Ne jamais oublier de :

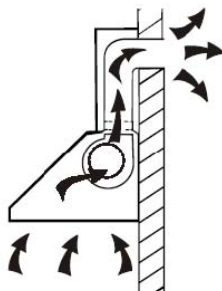
- Pour des explications concernant le mode et la fréquence de nettoyage, veuillez consulter le chapitre entretien et nettoyage de ce manuel d'instructions.
- L'entretien et le nettoyage ne doivent pas être effectués par des enfants sans surveillance.
- Lorsque la hotte électrique fonctionne en même temps que des dispositifs alimentés par d'autres énergies que l'électricité, la pression négative de la pièce ne doit pas dépasser 4 Pa (4 x 10⁵ bar).

Ne jamais oublier de :

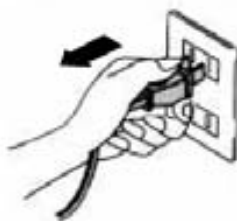
- ATTENTION : Risque d'incendie : ne pas stocker d'éléments sur les surfaces de cuisson.
- N'utilisez jamais de nettoyeur à vapeur.
- N'essayez JAMAIS d'éteindre un feu avec de l'eau, mais éteignez l'appareil, puis couvrez la flamme avec un couvercle ou une couverture anti-feu, par exemple.

INSTALLATION (EVACUATION EXTERNE)

Si vous avez une sortie vers l'extérieur, votre hotte peut être connectée comme sur l'image ci-dessous par un conduit d'évacuation (émail, aluminium, gaine souple ou matériau non inflammable avec un diamètre intérieur de 120 mm)



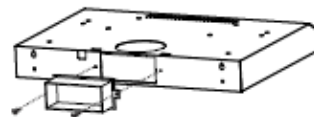
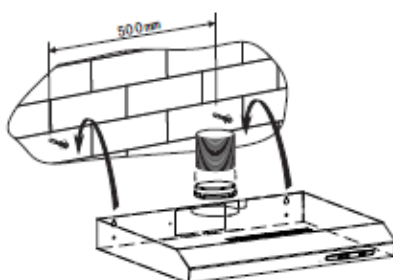
1. Avant l'installation, éteignez l'appareil et débranchez-le de la prise de courant.



2. Pour une prestation optimale, la hotte doit être placée à une distance de 65 à 75 cm au-dessus de la plaque de cuisson. Voir ill. 1.

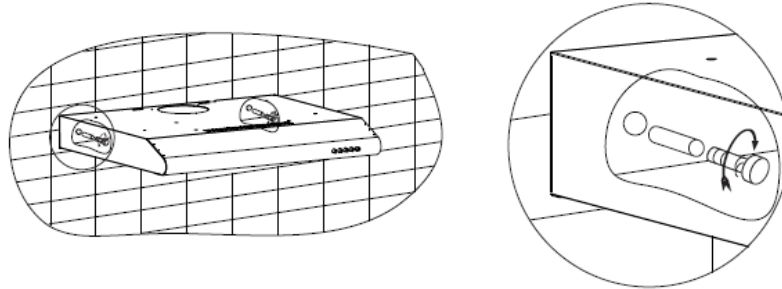


PIC 1



Pic 2

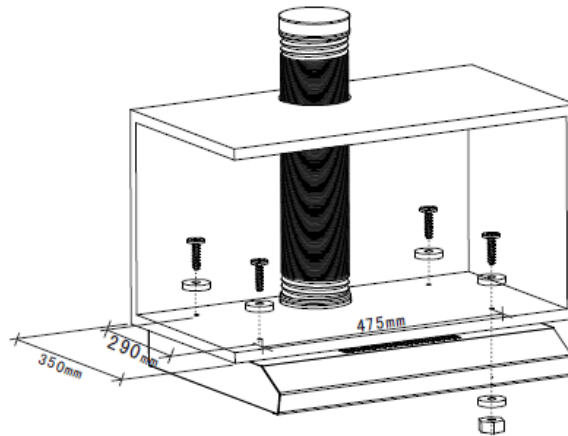
3. Pour l'installation sur le mur, percez 2 trous de $\varnothing 8$ mm à un endroit approprié en fonction de l'entraxe des trous à l'arrière de la hotte, voir ill. 2.
4. Introduisez les écrous dans les trous.
5. Insérez les vis ST4*30 mm dans les écrous et serrez fort.
6. Suspendez la hotte sur les vis de support.
7. Utilisez ensuite les accessoires fournis inclus pour tourner les vis de sécurité dans les deux trous de l'intérieur de la hotte, puis fixez les vis pour serrer la hotte sur le mur. Voir ill. ci-dessous.



8. Placez le tuyau d'expansion sur la sortie, puis dirigez-le vers l'extérieur, ou utilisez le couvercle de sortie pour sceller la sortie extérieure et ouvrir la soupape d'échappement intérieure. Remarque : le tuyau d'expansion n'est pas fourni.

Méthode B:

1. Percez 4 trous de $\varnothing 6$ mm au fond de l'armoire suspendue. Voir ill. ci-dessous.

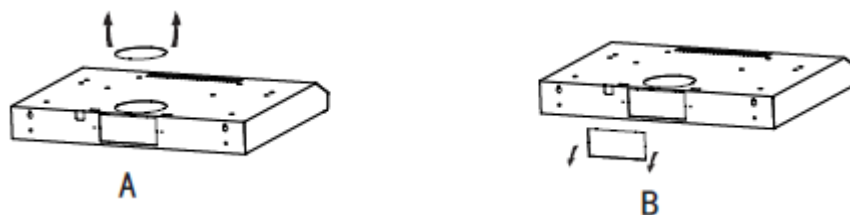


2. Installez la hotte sur le fond de l'armoire, serrez la hotte avec les vis M4 incluses et les rondelles plates.
3. Placez le tuyau d'expansion sur la sortie, puis menez-le vers l'extérieur.
Remarque : le tuyau d'expansion n'est pas fourni.

Bruit : Il existe 2 méthodes de ventilation, dont la « ventilation horizontale » et la « ventilation verticale ». Veuillez faire attention à la méthode de ventilation lors de l'installation.

Ventilation horizontale : Voir ill. A, veuillez utiliser l'outil pour frapper le couvercle de sortie sur le dessus, pour que l'air puisse s'échapper par le haut.

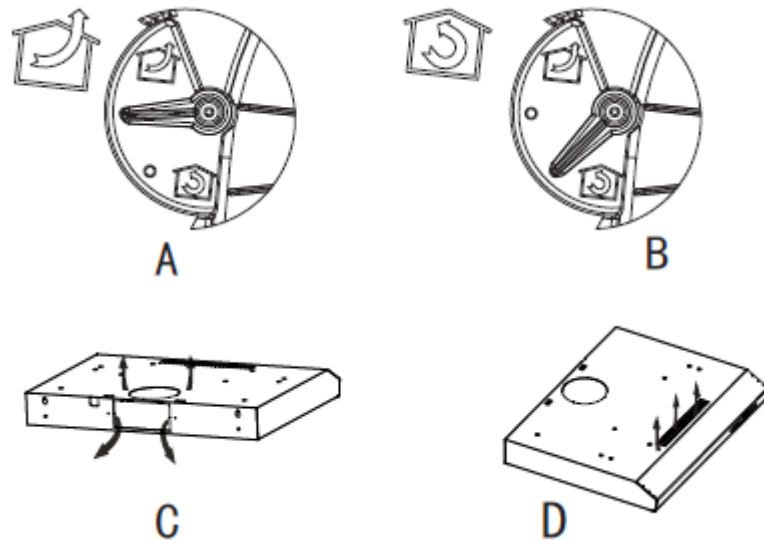
Aération verticale : Voir ill. B, veuillez utiliser l'outil pour frapper le couvercle de sortie à l'arrière, pour que l'air puisse s'échapper par l'arrière.




Réglage de la ventilation

Ventilation à l'air extérieur : Tournez le bouton sur extérieur (ill. A), installez la sortie, allumez la hotte et l'air sera ventilé depuis la sortie extérieure.

Ventilation à l'air intérieur : Tournez le bouton sur intérieur (ill. B), installez le couvercle de sortie, allumez la hotte et l'air sera ventilé depuis la sortie intérieure.



<p>ATTENTION :</p> 	<p>➤ Pour des raisons de sécurité, utilisez uniquement des vis de fixation ou de montage de la taille recommandée dans ce manuel d'instructions.</p> <p>➤ Le fait de ne pas installer les vis ou le dispositif de fixation conformément à ces instructions peut entraîner des risques électriques.</p>
---	--

COMMENT UTILISER VOTRE HOTTE DE CUISSON

Interrupteur de commutation



1. Lampe - Allumer/éteindre la lumière
« 0 » - pour éteindre la lumière
« 1 » - pour allumer la lumière
Alimentation - curseur à l'extérieur, mise sous tension ; curseur à l'intérieur, mise hors tension.
2. Vitesse - sélectionnez la vitesse en fonction des conditions de cuisson
« 0 » - pour éteindre le moteur
Faible (1) – friture légère/ébullition
Moyenne (2) – friture/cuisson au wok/ébullition vive
Élevée (3) - cuisson au gril, friture intense et cuisson au wok
Alimentation - curseur à l'extérieur, mise sous tension ; curseur à l'intérieur, mise hors tension.

DEPANNAGE

Problème	Cause possible	Solution
Lumière allumée, mais le moteur ne fonctionne pas.	Le commutateur de ventilation est désactivé.	Sélectionnez une position active du commutateur de ventilation.
	Le commutateur de ventilation est endommagé.	Contactez le service après-vente.
	Le moteur est endommagé.	Contactez le service après-vente.
L'éclairage ne fonctionne pas, le moteur ne fonctionne pas.	Les fusibles ont grillé.	Réinitialisez/Remplacez les fusibles.
	Le câble d'alimentation est desserré ou débranché	Rebranchez le câble d'alimentation sur la prise de courant. Connectez la prise d'alimentation.
Fuite d'huile.	Le clapet de non-retour n'est pas correctement scellé à la sortie.	Démontez le clapet de non-retour et scellez avec du mastic.
	Fuite du raccordement entre le conduit et le boîtier.	Démonter le conduit et scellez.
Les lumières ne fonctionnent pas.	Ampoules cassées ou défectueuses	Remplacez les ampoules conformément à ces instructions.
Aspiration insuffisante.	La distance entre la hotte et la plaque de cuisson est trop grande.	Repositionnez la hotte à la bonne distance.
La hotte de cuisson penche.	La vis de fixation n'est pas assez serrée	Serrez la vis du support d'accrochage en position parfaitement horizontale.

REMARQUE :

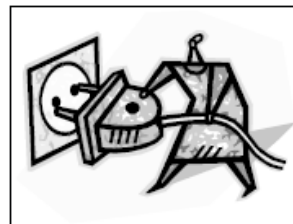


Toute réparation de votre appareil doit être conforme aux lois locales, nationales ou fédérales. Veuillez contacter le service après-vente si vous avez des doutes avant d'opérer selon les instructions ci-dessus. L'appareil doit toujours être déconnecté du secteur d'alimentation avant d'être ouvert.

ENTRETIEN ET NETTOYAGE

Attention :

Avant d'effectuer l'entretien ou le nettoyage, la hotte doit être débranchée de l'alimentation secteur. Assurez-vous que la hotte de cuisson est éteinte au niveau de la prise murale et que sa fiche est retirée.



- Les surfaces externes sont sujettes à des rayures et à des abrasions, veuillez par conséquent suivre les instructions de nettoyage pour vous assurer d'obtenir le meilleur résultat possible, sans aucun dommage.

CONSIGNES GÉNÉRALES

Le nettoyage et l'entretien doivent être effectués avec l'appareil à froid, en particulier lors du nettoyage. Évitez de laisser des substances alcalines ou acides (jus de citron, vinaigre, etc.) sur les surfaces.

ACIER INOXYDABLE

L'acier inoxydable doit régulièrement être nettoyé (par ex. toutes les semaines) pour s'assurer une longue durée de vie. Essuyez avec un chiffon doux propre. Vous pouvez utiliser un produit de nettoyage spécial acier inoxydable.

REMARQUE :

Veillez à essuyer dans le sens du grain de l'acier inoxydable pour éviter l'apparition de rayures croisées disgracieuses.

SURFACE DU PANNEAU DE COMMANDE

Le panneau de commande incrusté peut être nettoyé à l'eau chaude savonneuse. Assurez-vous que le chiffon est propre et bien essoré avant d'essuyer. Utilisez un chiffon doux et sec pour éliminer toute humidité suite au nettoyage.

Important

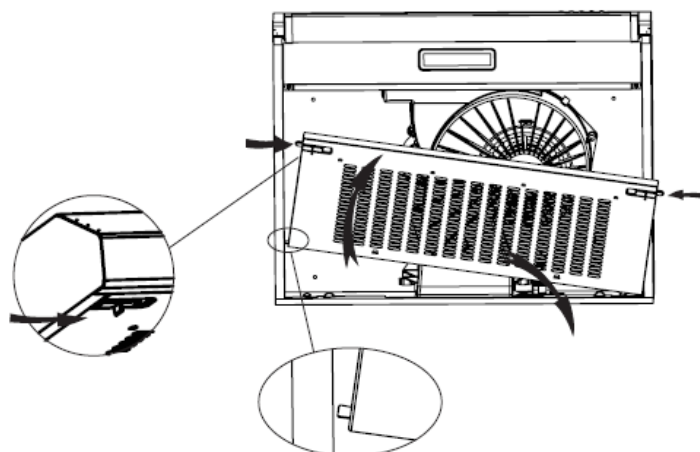
Utilisez des produits de nettoyage neutres et évitez d'utiliser des produits de nettoyage chimiques agressifs, des produits ménagers puissants ou des produits contenant des abrasifs, car cela endommagerait l'apparence de l'appareil et pourrait supprimer les inscriptions ou symboles imprimés sur le panneau de commande, ce qui annulerait la garantie de fabrication.

FILTRES À GRAISSE EN CAISSETTES MÉTALLIQUES

Les filtres en cassettes métalliques peuvent être nettoyés à la main. Les laisser tremper pendant environ 3 minutes dans de l'eau avec un produit de nettoyage doux, puis les brosser doucement avec une brosse souple. N'appuyez pas trop fort pour éviter tout dommage. (Laissez-les sécher naturellement à l'abri de la lumière directe du soleil)

Les filtres doivent être lavés séparément de la vaisselle et des ustensiles de cuisine. Il est conseillé de ne pas utiliser de produit de rinçage.

- Démontage des filtres à graisse en caissettes métalliques
 - a. Poussez les attaches du filtre à graisse en caissettes métalliques vers l'avant et retirez l'avant du filtre.
 - b. Poussez ensuite les butées latérales inférieures gauche ou droite du filtre vers le haut jusqu'à ce que le point de suspension à une butée latérale ne suspende plus la cavité de la hotte.
 - c. Pour finir, enlevez tous les filtres en caissettes métalliques.

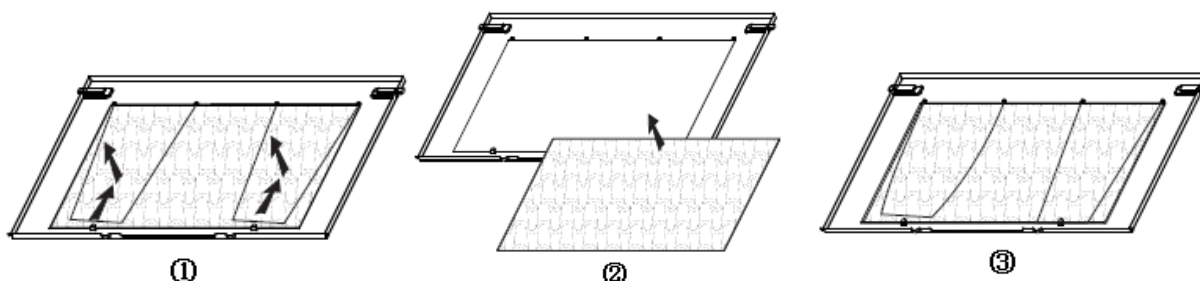


- Installation des filtres à graisse en caissettes métalliques
 - Installer des filtres selon les quatre étapes suivantes :
 - Placez un filtre dans les fentes à l'arrière de la hotte.
 - Appuyez sur le bouton de la poignée du filtre.
 - Relâchez la prise quand le filtre est dans sa position définitive.
 - Répétez la même opération pour installer tous les filtres.

FILTRE À CHARBON

Les filtres à charbon actif sont utilisés pour absorber les odeurs. Normalement, le filtre à charbon actif doit être remplacé tous les 3 à 6 mois selon vos habitudes de cuisson. La procédure d'installation des filtres à charbon actif est la suivante :


1. Retirez les filtres à graisse.
2. Placez le filtre à charbon sur le filtre à graisse.
3. Fixez le filtre à charbon correctement installé avec le petit fil d'acier.
4. Réinstallez le filtre à graisse.
5. Utilisez des filtres à charbon uniquement pour le mode de recirculation.



REMARQUE :

- Assurez-vous que le filtre soit correctement bloqué. Sinon, il pourrait se desserrer et devenir dangereux.
- Quand le filtre à charbon actif est installé, la force d'aspiration est plus faible.

REEMPLACEMENT D'UN LAMPE

<p>Important :</p> 	<ul style="list-style-type: none">✧ La lampe doit être remplacée par le fabricant, un agent après-vente ou toute autre personne qualifiée.✧ Coupez l'alimentation électrique avant toute intervention sur l'appareil. Lors de la manipulation d'une lampe, assurez-vous qu'elle a complètement refroidi avant de la mettre en contact avec vos mains.✧ Lorsque vous manipulez des lampes, tenez-les avec un chiffon ou des gants pour vous assurer que votre transpiration n'entre pas en contact avec celles-ci, car cela réduirait leur durée de vie.
---	---

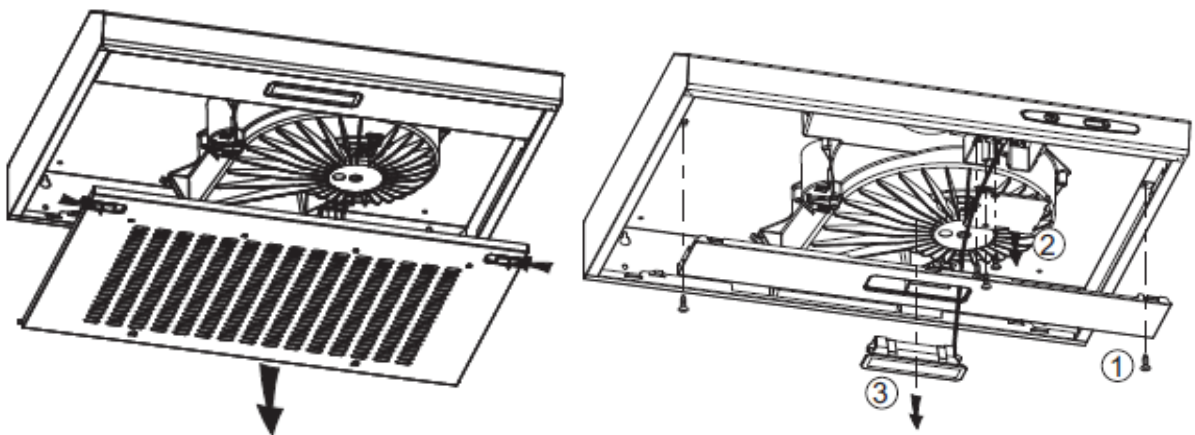
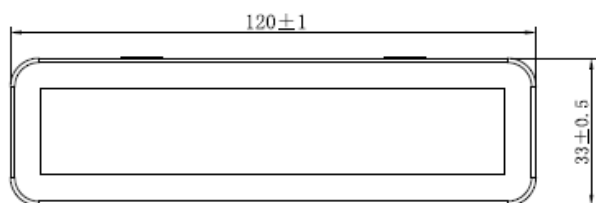
Remarque :

- Avant de changer une lampe, assurez-vous que l'appareil est éteint et débranché.
- Protégez-vous contre les dangers liés au remplacement d'une lampe, par exemple en portant des gants.


Remplacement des lampes :

- Retirez les filtres à graisse.
- Desserrez les 2 vis ST4*8 mm du panneau d'éclairage, puis retirez le dispositif d'éclairage.
- Démontez les 3 vis ST3*12 mm sur le couvercle du bornier et retirez le couvercle de câble.
- Retirez la borne du bornier PCB, débranchez le connecteur de fil et remplacez la lampe.

- Le code ILCOS D de cette lampe est :
DBS-2/65-H-120/33
- Modules LED – lampe rectangulaire
- Puissance max. : 1×2 W
- Plage de tension : CA 110-240 V
- Dimensions :



PROTECTION ENVIRONNEMENTALE :

	<p>Cet appareil est conforme à la directive Européenne 2012/19/UE relative aux règlements 2013 sur les Déchets d'équipements électriques et électroniques (DEEE) (Waste Electrical and Electronic Equipment - WEEE). La catégorie DEEE recouvre à la fois les substances polluantes (pouvant avoir des retombées négatives sur l'environnement) et les composants de base (pouvant être réutilisés). Il est important que les DEEE subissent des traitements spécifiques pour éliminer et jeter correctement les polluants et récupérer tous les matériaux. Chaque individu peut jouer un rôle important en veillant à ce que les produits DEEE ne deviennent pas un problème pour l'environnement. Pour cela, il est essentiel de suivre quelques règles de base :</p> <ul style="list-style-type: none">- les DEEE ne doivent pas être traités comme des déchets ménagers ;- les DEEE doivent être amenés à des zones de collecte spécifiques gérées par le conseil municipal ou une société dûment enregistrée. <p>Dans de nombreux pays, des décharges domestiques peuvent être disponibles pour de grands DEEE. Lorsque vous achetez un nouvel appareil, l'ancien peut être retourné au détaillant qui est en devoir de le récupérer sans frais, à titre exceptionnel, tant que l'équipement est de type équivalent et a les mêmes fonctions que l'équipement fourni.</p>
---	---

REMARQUE :

Ce qui suit montre comment réduire l'impact total sur l'environnement (par exemple, l'utilisation d'énergie pour le processus de cuisson).

- (1) Installez la hotte de cuisson dans un emplacement approprié, là où la ventilation est efficace.
- (2) Nettoyez régulièrement la hotte pour ne pas compromettre le passage de l'air.
- (3) N'oubliez pas d'éteindre la lumière de la hotte après avoir cuisiné.
- (4) N'oubliez pas d'éteindre la hotte après avoir cuisiné.

INFORMATION SUR LE DÉMANTÈLEMENT

Ne démantelez pas l'appareil d'une façon autre que celle qui est montrée dans le manuel de l'utilisateur. L'appareil ne doit pas être démantelé par l'utilisateur. À la fin de son cycle de vie, l'appareil ne doit pas être mis au rebut avec les ordures ménagères. Renseignez-vous auprès des autorités locales ou de votre prestataire de services pour obtenir des conseils sur le recyclage.

CANDY

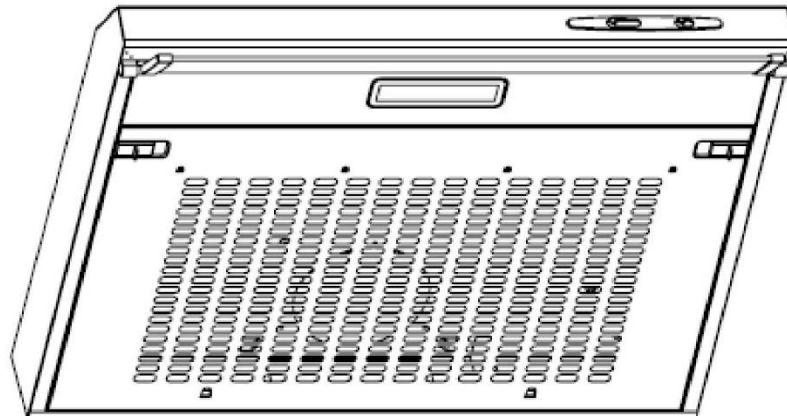
CFT610/5X/P

CFT610/4W/P

CFT610/5S/P

Abzugshaube

Bedienungshandbuch



Inhalt

1.Sicherheitshinweise
2.Installation
3.Inbetriebnahme der Abzugshaube
4.Fehlerbehebung
5.Wartung und Reinigung
6.Umweltschutz:

SICHERHEITSHINWEISE

Dieses Handbuch beschreibt die ordnungsgemäße Installation und die Verwendung der Dunstabzugshaube. Lesen Sie die Bedienungsanleitung daher sorgfältig durch, auch wenn Sie das Produkt bereits kennen. Das Handbuch sollte für zukünftige Nachschlagezwecke gut aufbewahrt werden.

Was Sie auf keinen Fall tun sollten:

- Lassen Sie die Abzugshaube nicht ohne Fettfilter oder wenn diese übermäßig fettig sind laufen!
- Nicht über einem Herd mit hochgelagertem Grill aufhängen.
- Bratpfannen mit heißem Fett nicht unbeaufsichtigt lassen, weil dieses Feuer fangen könnten.
- Kein offenes Feuer unter der Abzugshaube entzünden.



- Abzugshaube außer Betrieb nehmen, wenn sie beschädigt ist.
- Keine Gerichte unter der Abzugshaube flambieren.
- VORSICHT: Es kann sein, dass bestimmte Teile der Abzugshaube beim Kochen heiß werden.
- Den Mindestabstand zwischen Kochfeld unter den Kochtöpfen/-pfannen und Unterteil der Dunstabzugshaube einhalten. (Wird die Abzugshaube über einem Gasherd angebracht, sollte der Abstand mindestens 65 cm betragen.)
- Die Abluft sollte nicht in einen Rauchfang geleitet werden, der auch für die Abgase einer Gas- oder Ölheizung verwendet wird. Dunstabzugshauben und andere Kochdunstabzüge können den sicheren Betrieb von Geräten, die mit Gas oder anderen Brennstoffen betrieben werden (auch in anderen Räumen), durch Rückströmung von Verbrennungsgasen beeinträchtigen. Diese Gase können grundsätzlich zu einer Kohlenmonoxidvergiftung führen.

Nach der Installation einer Dunstabzugshaube oder eines anderen Kochdunstabzugs sollte der Betrieb von Gasgeräten mit offenem Abzug von einer sachkundigen Person getestet werden, um sicherzustellen, dass es nicht zu einem Rückfluss von Verbrennungsgasen kommt.



Was Sie immer tun sollten:

- Wichtig! Trennen Sie das Gerät vor der Installation und Wartung (Austausch einer Glühbirne) immer von der Stromversorgung.
- Die Abzugshaube muss gemäß der Installationsanleitung aufgehängt und alle Maße müssen eingehalten werden.
- Sämtliche Installationsarbeiten müssen durch einen Fachmann oder qualifizierten Elektriker vorgenommen werden.
- Verpackungsmaterial ordentlich entsorgen. Es kann für Kinder gefährlich werden.
- Bei der Installation und Reinigung auf scharfe Kanten im Inneren der Abzugshaube achten.
- Darauf achten, dass der Abluftkanal keine Knicke hat, die 90 Grad überschreiten, da dies die Effizienz der Abzugshaube reduziert.
- Warnung: Werden Schrauben nicht richtig festgezogen oder wird das Gerät nicht gemäß dieser Anleitung eingebaut, können Gefahren durch elektrischen Strom entstehen.

- Warnung: Bevor mögliche Anschlüsse zugänglich werden, müssen sämtliche Stromzuleitungen getrennt werden.

Was Sie immer tun sollten:

- Töpfe und Pfannen beim Kochen auf einem Gasherd immer mit einem Deckel schließen.
- Ist die Abzugshaube eingeschaltet, wird die Raumluft abgesaugt. Achten Sie darauf, dass für eine ausreichende Belüftung gesorgt ist. Die Abzugshaube saugt Gerüche ab, aber keinen Wasserdampf.
- Für ausreichende Belüftung sorgen, wenn die Abzugshaube zusammen mit Geräten betrieben wird, die Gas oder andere Brennstoffe verbrennen.
- Die Abzugshaube ist ausschließlich für den Hausgebrauch bestimmt.



- Wenn das Stromkabel beschädigt ist, muss es vom Hersteller oder von seinem Service-Mitarbeiter, oder einer gleichwertig qualifizierten Person ausgetauscht werden, um jegliches Risiko zu vermeiden.
- Dieses Gerät kann von Kindern ab 8 Jahren und Personen mit eingeschränkten körperlichen, sensorischen oder geistigen Fähigkeiten oder mangelnder Erfahrung und mangelndem Wissen benutzt werden, wenn diese in die sichere Bedienung des Geräts eingewiesen wurden oder beaufsichtigt werden und die damit verbundenen Gefahren verstanden haben. Kinder dürfen nicht mit dem Gerät spielen. Reinigung und Pflege darf nicht von Kindern ohne Aufsicht erfolgen.

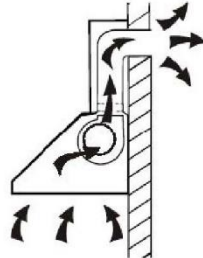


Was Sie immer tun sollten:

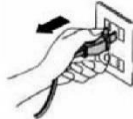
- Vorsicht: Das Gerät und zugängliche Teile können während des Betriebs heiß werden. Seien Sie daher vorsichtig, wenn Sie diese Teile berühren müssen. Kinder unter acht Jahren sollten vom Gerät ferngehalten werden, es sei denn, sie werden permanent beaufsichtigt.
- •Es besteht ein Brandrisiko, wenn die Reinigung nicht entsprechend dieser Anweisungen durchgeführt wird.
- Vorschriften zur Abluft müssen befolgt werden.
- Reinigen Sie das Gerät regelmäßig entsprechend der Anweisungen im Kapitel „WARTUNG“.
- Verwenden Sie aus Sicherheitsgründen für die Montage nur Schrauben in der Größe, die in diesem Handbuch empfohlen wird.
- Eine detaillierte Anweisung zur Reinigung und deren Häufigkeit finden Sie im Abschnitt „Wartung und Reinigung“ im Bedienungshandbuch.
- Reinigung und Pflege darf nicht von Kindern ohne Aufsicht erfolgen.
- Wird die Abzugshaube zusammen mit Geräten betrieben, die nicht durch Strom, sondern durch andere Energiequellen versorgt werden, darf der Unterdruck im Raum 4 Pa (4×10^5 bar) nicht übersteigen.
- **WARNUNG: Feuergefahr:** Keine Gegenstände auf Kochfeldern ablegen.
- Keinen Dampfreiniger verwenden.
- Löschen Sie ein Feuer NIEMALS mit Wasser, sondern schalten Sie das Gerät aus und decken Sie die Flammen dann ab, z. B. mit einem Deckel oder einer Löschdecke.

INSTALLATION (ABLUFT NACH DRAUSSEN)

Wenn eine Maueröffnung nach draußen vorhanden ist, kann die Abzugshaube wie unten gezeigt über einen Abluftkanal (Emaille, Aluminium, flexibles Rohr aus unbrennbarem Material mit einem Innendurchmesser von 120mm) an diese angeschlossen werden.



1. Schalten Sie vor der Installation das Gerät aus und ziehen Sie den Netzstecker.



2. Die Abzugshaube sollte für eine optimale Leistung 65-75 cm über der Kochfläche aufgehängt werden. Siehe Abb. 1



Abb. 1.

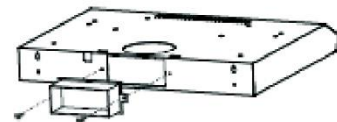
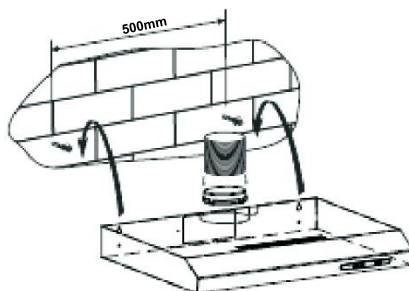
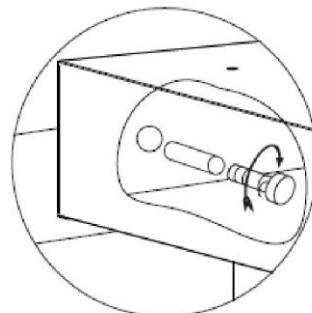
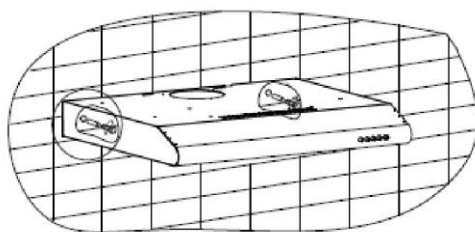


Abb. 2.

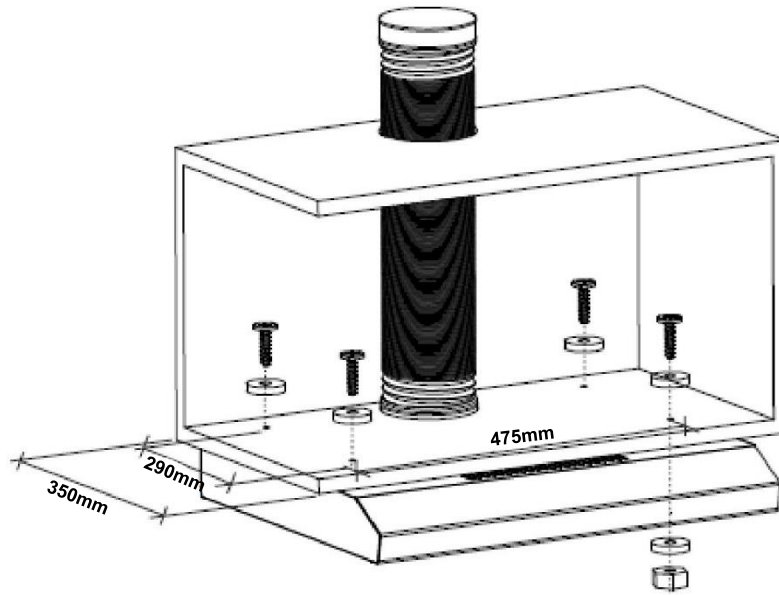
3. Für die Montage an der Wand bohren Sie zwei Löcher mit 8 mm Durchmesser an einer geeigneten Stelle, die dem Lochabstand auf der Rückseite der Dunstabzugshaube entspricht. Siehe Abb. 2
4. Die Dübel in die Bohrlöcher stecken.
5. Stecken Sie die Schrauben (ST4*30mm) in die Dübel und ziehen Sie sie fest.
6. Setzen Sie die Abzugshaube auf die befestigten Schrauben.
7. Drehen Sie dann mit dem beiliegenden Zubehör die Sicherheitsschrauben in die beiden Löcher im Inneren der Haube und befestigen Sie die Haube mit den Schrauben an der Wand. Siehe Bild unten.



8. Setzen Sie das Abzugsrohr auf den Auslass und führen Sie es dann ins Freie, oder verwenden Sie die Auslassabdeckung, um die Abluft nach draußen zu verschließen und das innere Auslassventil zu öffnen. Hinweis: Das Abzugsrohr ist nicht im Lieferumfang enthalten.

Vorgehensweise B:

1. Bohren Sie vier Löcher mit 0,6 mm Durchmesser an der Unterseite des Hängeschrankes. Siehe Abb. unten.



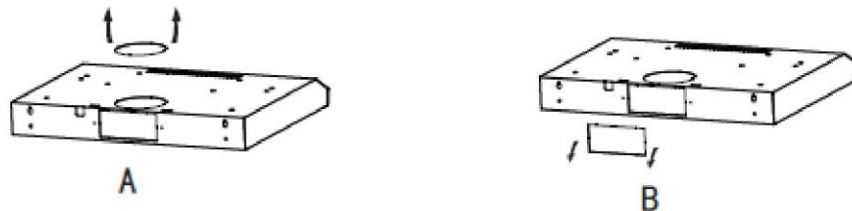
2. Montieren Sie die Dunstabzugshaube an der Schrankunterseite und ziehen Sie sie mit beiliegenden M4-Schrauben plus Unterlegscheiben fest.

3. Setzen Sie das Abzugsrohr auf den Auslass und führen Sie es dann ins Freie. Hinweis: Das Abzugsrohr ist nicht im Lieferumfang enthalten.

Hinweis: Es gibt zwei Belüftungsmethoden in horizontaler oder vertikaler Ausrichtung. Berücksichtigen Sie die Belüftungsausrichtung bei der Installation.

Horizontale Belüftung: Siehe Abb. A, öffnen Sie den Auslass auf der Oberfläche mit dem Werkzeug, sodass die Luft von oben abgesaugt werden kann.

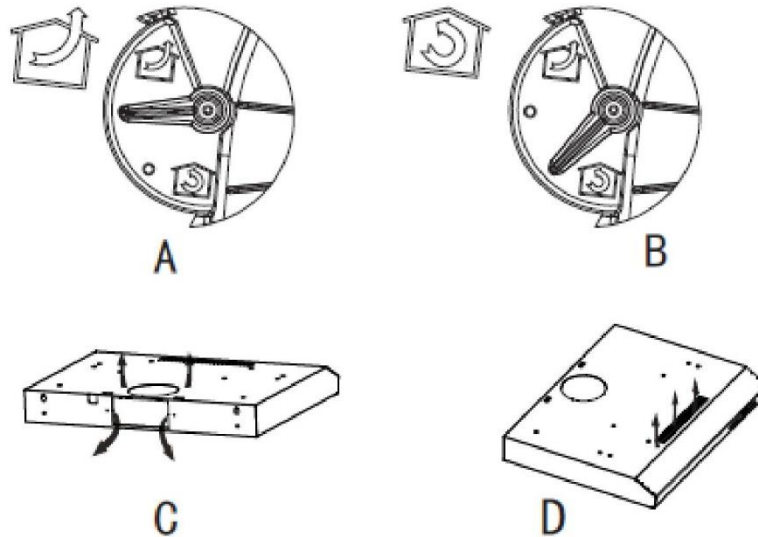
Vertikale Belüftung: Siehe Abb. B, öffnen Sie den Auslass an der Rückseite mit dem Werkzeug, sodass die Luft von hinten abgesaugt werden kann.




Einstellen der Luftzirkulation

Luftzirkulation nach draußen: Stellen Sie den Regler auf Außenzirkulation (Abb. A) und installieren Sie den Abluftkanal. Schalten Sie die Abzugshaube ein und die Luft wird nach draußen geleitet.

Luftzirkulation nach innen: Stellen Sie den Regler auf Innenzirkulation (Abb. B) und setzen Sie den Deckel auf den Abluftkanal nach außen. Schalten Sie die Abzugshaube ein und die Luft wird nach innen geleitet.



<p>WARNUNG:</p> 	<ul style="list-style-type: none">➤ Verwenden Sie aus Sicherheitsgründen für die Montage nur Schrauben in der Größe, die in diesem Handbuch empfohlen wird.➤ Werden Schrauben nicht richtig festgezogen oder wird das Gerät nicht gemäß dieser Anleitung eingebaut, können Gefahren durch elektrischen Strom entstehen.
--	--

INBETRIEBNAHME DER ABZUGSHAUBE

Wechselschalter



1. Lampe - Licht ein-/ausschalten

„0“ – Licht ausschalten

„1“ – Licht einschalten

Strom - Schublade herausziehen, einschalten, Schublade einschieben, ausschalten.

2. Geschwindigkeit - Geschwindigkeitsauswahl passend zum Garvorgang

„0“ – Motor ausschalten

Schwach (1) - leichtes Braten/Kochen

Mittel (2) - Braten, Garen im Wok, starkes Kochen

Hoch (3) - Grillen, intensives Braten und Garen im Wok

Strom - Schublade herausziehen, einschalten, Schublade einschieben, ausschalten.

FEHLERBEHEBUNG

Fehler	Mögliche Ursachen	Lösung
Licht an, aber Motor läuft nicht.	Ventilator ist ausgeschaltet.	Lüftergeschwindigkeit auswählen.
	Lüfterschalter defekt.	Kundendienstzentrum kontaktieren.
	Motor läuft nicht.	Kundendienstzentrum kontaktieren.
Licht und Motor funktionieren nicht.	Stromsicherung ist durchgebrannt.	Sicherungen wieder einschalten/austauschen.
	Netzstromkabel ist lose oder nicht angeschlossen.	Stecken Sie das Netzkabel wieder in die Steckdose. Stromversorgung einschalten.
Es tritt Öl aus.	Rückschlagventil und Auslass sind nicht dicht.	Rückschlagventil abnehmen und mit Dichtmaterial abdichten.
	Verbindung zwischen Abzug und Abzugshaube ist undicht.	Abzug abnehmen und abdichten.
Licht funktioniert nicht.	Kaputte oder defekte Glühbirnen.	Glühbirnen gemäß dieser Anweisung austauschen.
Absaugen nicht stark genug.	Abstand zwischen Abzugshaube und Kochfeld ist zu groß.	Abzugshaube erneut mit dem richtigen Abstand anbringen.
Abzugshaube hängt herunter.	Befestigungsschraube ist nicht fest.	Schraube anziehen, sodass die Abzugshaube wieder gerade hängt.



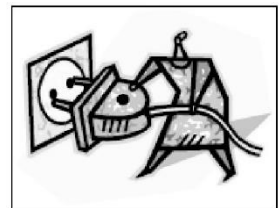
HINWEIS:

Alle elektrischen Reparaturen dieses Geräts müssen der geltenden regionalen und bundesweiten Gesetzgebung (VDE-Vorschriften) entsprechen. Wenn Sie Zweifel haben, kontaktieren Sie den Kundendienst, bevor Sie die vorstehenden Maßnahmen durchführen. Gerät immer zuerst von der Stromversorgung trennen, bevor das Gehäuse geöffnet wird.

WARTUNG UND REINIGUNG

Vorsicht:

- Vor der Wartung oder Reinigung die Abzugshaube von der Stromversorgung trennen. Überprüfen Sie, ob die Abzugshaube ausgeschaltet ist und ob der Stecker aus der Steckdose gezogen ist.



- Da die äußeren Oberflächen empfindlich für Kratzer sind, befolgen Sie diese Reinigungshinweise für ein optimales Ergebnis ohne Beschädigungen.

ALLGEMEINES

Die Reinigung und Wartung sollte erfolgen, wenn das Gerät abgekühlt ist. Keine Alkali- oder säurehaltigen Mittel (Zitronensaft, Essig usw.) auf der Oberfläche hinterlassen.

EDELSTAHL

Die Oberfläche aus Edelstahl muss regelmäßig (z. B. wöchentlich) gereinigt werden, damit sie lange hält. Mit einem weichen Tuch abtrocknen. Es kann ein spezieller Edelstahlreiniger verwendet werden.

HINWEIS:

Wischen Sie immer in der Richtung der Körnung des Edelstahls, sodass keine unschönen Kratzmuster entstehen.

OBERFLÄCHE DES BEDIENFELDS

Das eingelassene Bedienfeld kann mit warmem Seifenwasser gereinigt werden. Das saubere Tuch vor dem Reinigen gut ausdrücken. Restliche Feuchtigkeit mit einem weichen trockenen Tuch abreiben.

Wichtig

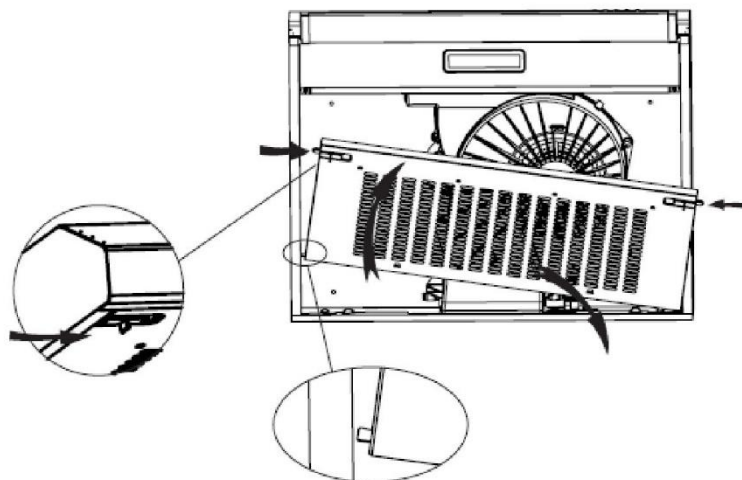
Verwenden Sie neutrale Reinigungsmittel und keine aggressiven Chemikalien oder Scheuermittel, da diese das Aussehen des Geräts verändern und Aufdrucke entfernen können. Außerdem verfällt dadurch die Garantie des Herstellers.

FETTFILTER

Die Netzfilter können von Hand gereinigt werden. Filter in Wasser mit mildem Reiniger eintauchen und zirka drei Minuten lang einweichen. Dann vorsichtig mit einer weichen Bürste abbürsten. Nicht zu viel Druck ausüben, da dies den Filter beschädigen kann. (Vor direkter Sonneneinstrahlung geschützt an der Luft trocknen lassen.) Filter sollten getrennt von Geschirr und Küchenutensilien gespült werden. Es wird empfohlen, etwas Klarspüler zu verwenden.

● Fett-Netzfilter entfernen

- Die Klemmen des Fett-Netzfilters nach vorne schieben und die Vorderseite des Filters abnehmen.
- Schieben Sie dann den linken oder rechten unteren Seitenanschlag des Filters nach oben, bis die Aufhängung im Hohlraum der Abzugshaube gelöst ist.
- Zum Schluss die ganzen Netzfilter abnehmen.



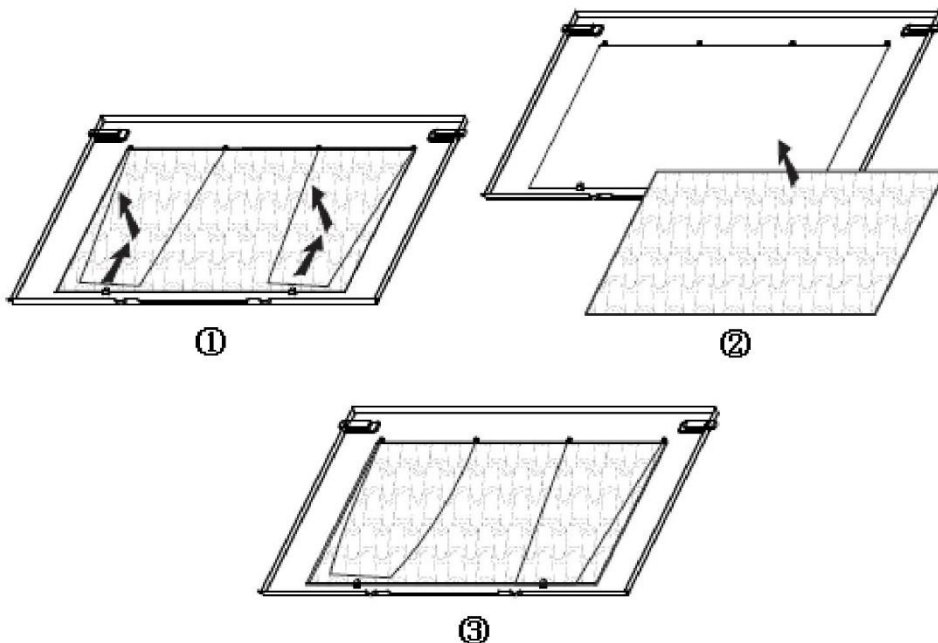
● Fett-Netzfilter einsetzen

- So setzen Sie die Filter in vier Schritten ein:
 - Setzen Sie die Filter in die Schlitze an der Rückseite der Abzugshaube ein.
 - Drücken Sie auf den Knopf am Filtergriff.
 - Lassen Sie den Griff los, sobald sich der Filter in der richtigen Position befindet.
 - Setzen Sie alle Filter auf diese Weise ein.

KOHLEFILTER

Aktivkohlefilter schließen unangenehme Gerüche ein. Normalerweise sollte ein Aktivkohlefilter entsprechend der Kochgewohnheiten alle drei bis sechs Monate gewechselt werden. Den Aktivkohlefilter wie folgt einsetzen:


1. Fettfilter herausnehmen.
2. Aktivkohlefilter auf den Fettfilter legen.
3. Den passend zugeschnittenen Aktivkohlefilter mit dem kleinen Stahldraht befestigen.
4. Fettfilter wieder einsetzen.
5. Kohlefilter nur bei der Umluftmethode verwenden.



HINWEIS:

- Prüfen Sie, ob der Filter sicher verankert ist. Anderenfalls kann er herausfallen und gefährliche Unfälle verursachen.
- Bei Verwendung eines Aktivkohlefilters wird die Absaugkraft herabgesetzt.

AUSTAUSCH DER LEUCHTMITTEL

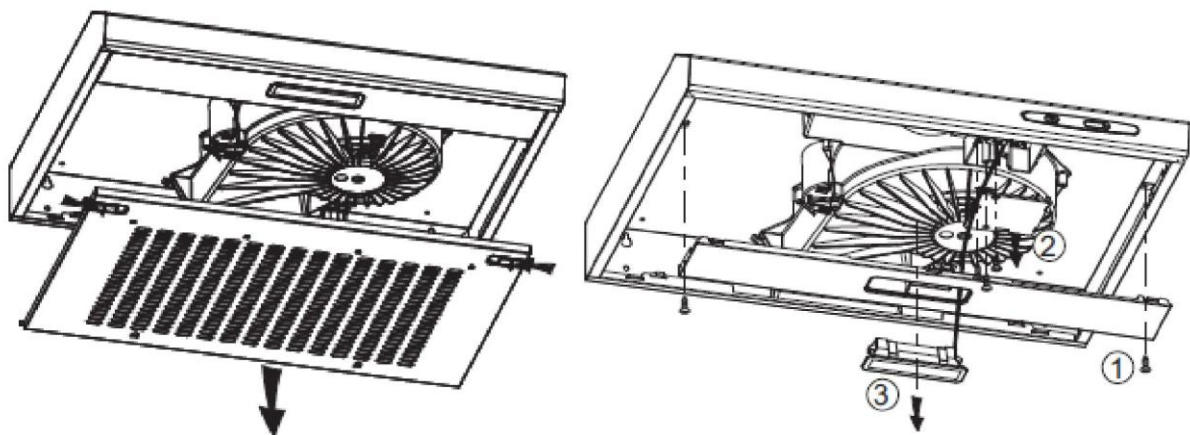
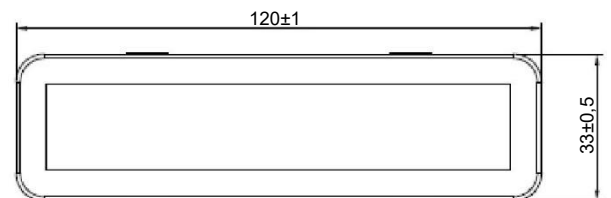
<p>Wichtig:</p> 	<ul style="list-style-type: none">❖ Die Lampe muss durch den Hersteller, seinen Kundendienstmitarbeiter oder ähnlich qualifizierte Fachleute ausgetauscht werden.❖ Gerät immer von der Stromversorgung trennen, bevor Reinigungs-, Wartungs- oder Reparaturarbeiten am Gerät durchgeführt werden. Leuchtmittel vor dem Entfernen vollständig abkühlen lassen, bevor sie angefasst werden.❖ Leuchtmittel mit einem Tuch oder mit Handschuhen wechseln, damit kein Schweiß damit in Berührung kommt. Dies kann die Lebensdauer der Lampe verkürzen.
---	---

Hinweis:


- Vergewissern Sie sich vor dem Austausch der Leuchtmittel, ob das Gerät ausgeschaltet und von der Stromversorgung getrennt wurde.
- Schützen Sie sich beim Austausch der Leuchtmittel z. B. durch das Tragen von Handschuhen.

Austausch der Leuchtmittel:

- Fettfilter herausnehmen.
- Lösen Sie die zwei ST4*8 mm-Schrauben von der Abdeckung der Beleuchtung und nehmen Sie dann den Beleuchtungskörper heraus.
- Schrauben Sie die drei ST3*12 mm-Schrauben vom Deckel des Klemmkästchens ab und nehmen Sie die Kabelabdeckung ab.
- Ziehen Sie die Klemme aus dem Klemmenblock heraus, trennen Sie den Drahtanschluss und tauschen Sie die Lampe aus.
- ILCOS D Bezeichnung für diese Lampe lautet: DBS-2/65-H-120/33
 - LED-Module – rechteckige Lampe
 - Max Wattzahl: 1x2 W
 - Spannungsbereich: AC 110-240V
 - Abmessungen:



UMWELTSCHUTZ:

	<p>Dieses Gerät ist entsprechend der EU-Richtlinie 2012/19/EG für Elektro- und Elektronik- Altgeräte 2013 für Elektro- und Elektronik-Geräte (WEEE) gekennzeichnet. Unter die WEEE fallende Elektro- und Elektronik-Altgeräte enthalten sowohl umweltschädliche Stoffe (die negativen Folgen für die Umwelt verursachen) als auch wiederverwendbare Grundstoffe. Es ist wichtig, dass die Elektro- und Elektronik-Altgeräte einer spezifischen Behandlung unterzogen werden, um die Schadstoffe korrekt zu entfernen und zu entsorgen und alle Materialien zurückzugewinnen. Jeder kann dazu beitragen, dass Altelektrogeräte nicht zu einem Umweltproblem werden. Daher sollten unbedingt einige Grundregeln beachtet werden:</p> <ul style="list-style-type: none">- Elektro- und Elektronik-Altgeräte dürfen nicht als Hausmüll entsorgt werden;- Elektro- und Elektronik-Altgeräte sollten in speziellen Sammelstellen entsorgt werden, die von der Stadtverwaltung oder einem registrierten Unternehmen verwaltet werden. <p>In vielen Ländern sind inländische Sammlungen für große Elektro- und Elektronik-Altgeräte verfügbar. Bei Kauf eines neuen Geräts können Altgeräte möglicherweise an Händler, die einen kostenlosen 1-zu-1- Umtausch vornehmen müssen, zurückgegeben werden, solange das Gerät dem selben Typ entspricht und über die gleichen Funktionen wie das bereitgestellte Gerät verfügt.</p>
---	--

HINWEIS:

Im Folgenden wird erläutert, wie die Umwelt durch den Kochvorgang möglichst wenig belastet wird (z. B. Energieverbrauch).

- (1) Die Abzugshaube an einem gut belüfteten Ort installieren.
- (2) Abzugshaube regelmäßig reinigen, sodass die Lüftung nicht blockiert wird.
- (3) Das Licht an der Abzugshaube nach dem Kochen immer ausschalten.
- (4) Abzugshaube nach dem Kochen immer ausschalten.

INFORMATIONEN FÜR EINE DEMONTAGE

Das Gerät nur wie in der Benutzeranleitung beschrieben öffnen oder aufschrauben. Der Verbraucher sollte das Gerät nicht vollständig in seine Einzelteile zerlegen. Am Ende seiner Lebensdauer das Gerät nicht mit dem Hausmüll entsorgen. Informieren Sie sich bei der örtlichen Behörde oder beim Händler, wie Ihr Gerät entsorgt werden muss.