



ATLAS
TQESSD01-BK
TQESSD01-W

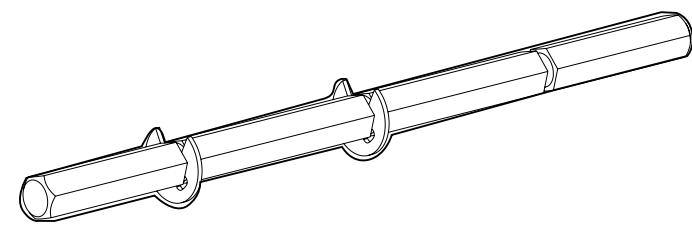
User manual

HEIGHT ADJUSTABLE ELECTRIC STANDING DESK

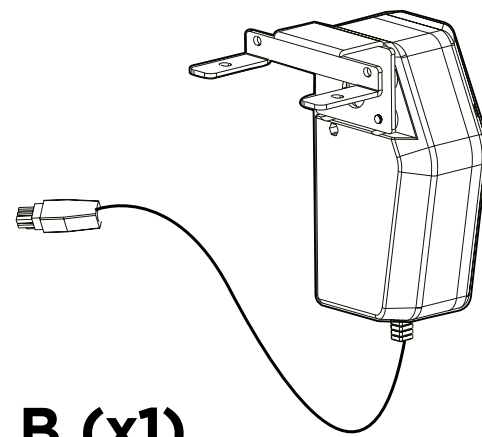


List of contents for installation

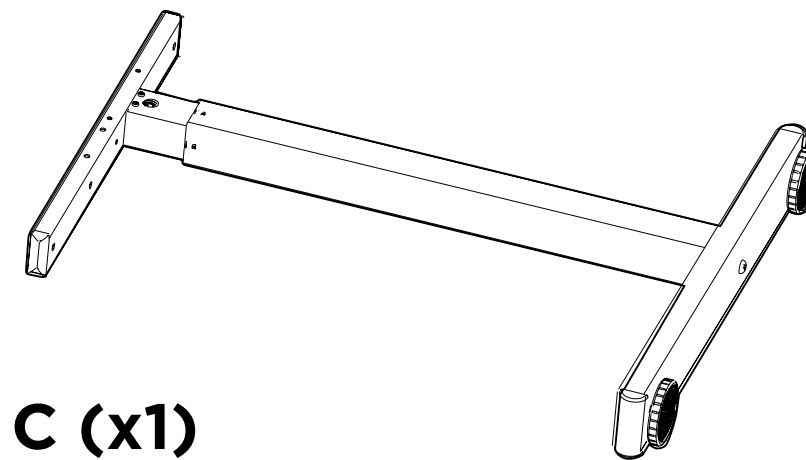
Please check all listed components. If any of the items are missing or damaged, please contact your reseller for replacement.



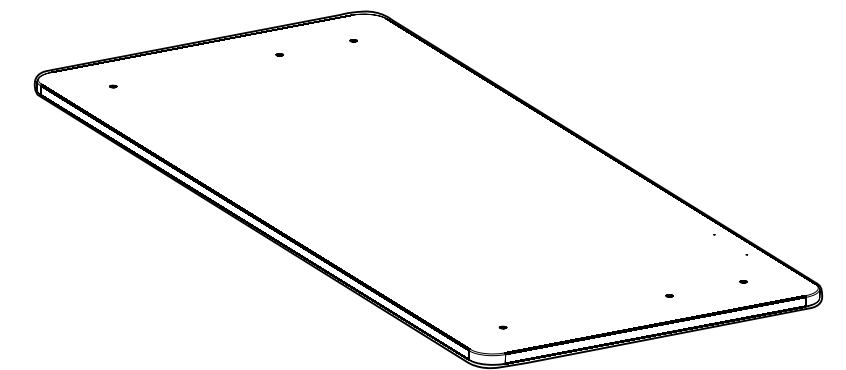
A (x1)
Connecting rod from column to motor



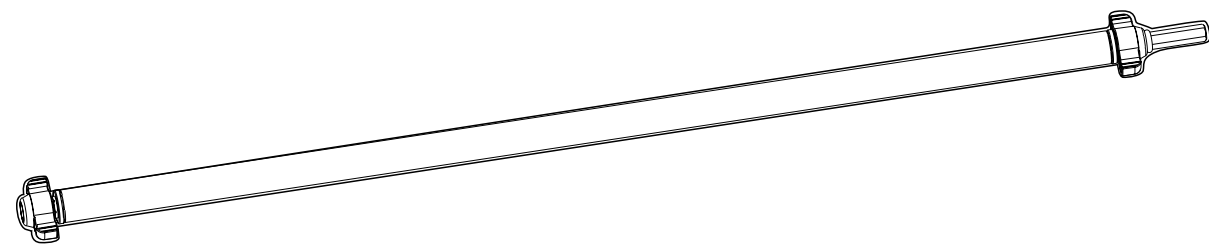
B (x1)
Motor



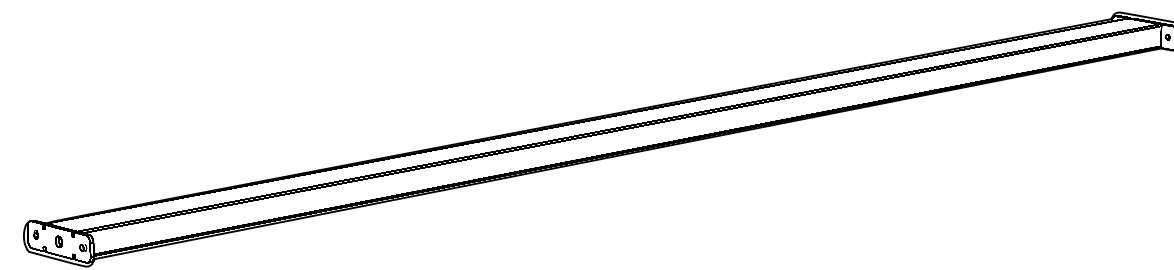
C (x1)
Lifting column



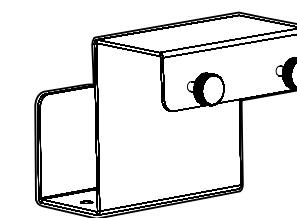
D (x1)
Desk



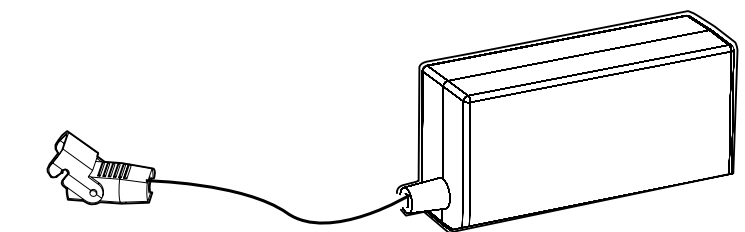
E (x1)
Sync rod



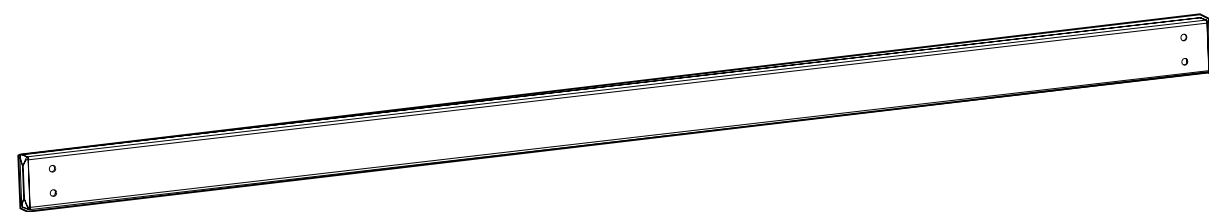
F (x1)
Cross bar



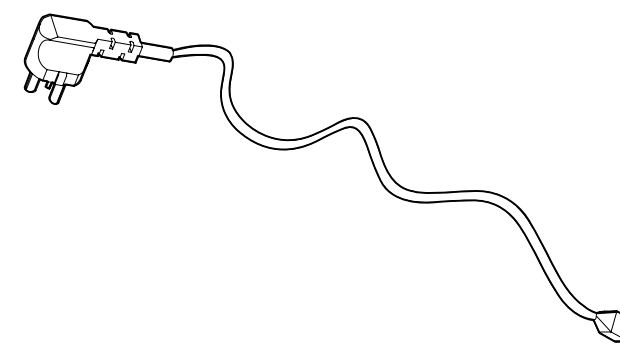
G (x1)
Mount Adapter Bracket



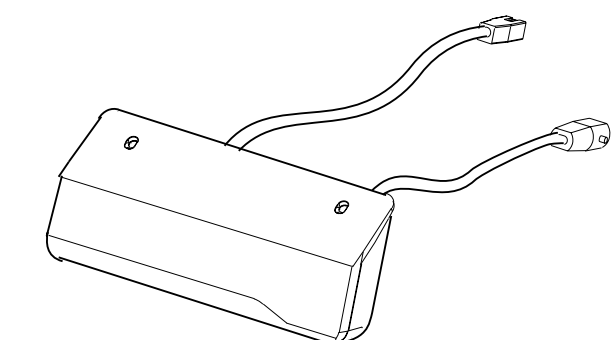
H (x1)
Power adapter



I (x1)
Cross bar

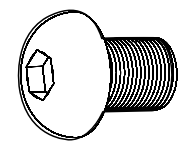


J (x1)
Power cable

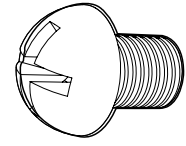


K (x1)
Controller

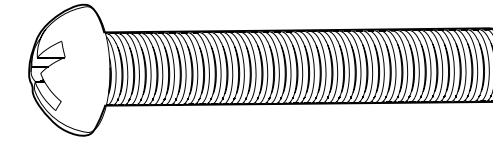
Contents and installation



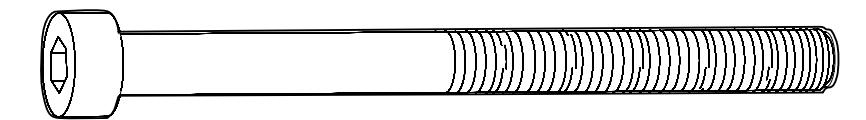
S-A (x4)
Hexagon head screw



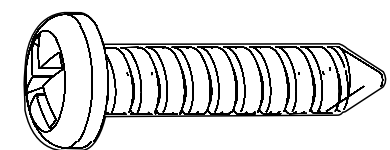
S-B (x4)
Phillips head screw



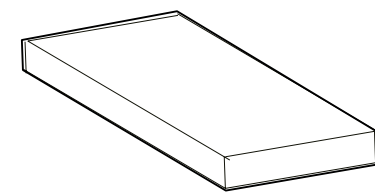
S-C (x6)
Phillips head screw



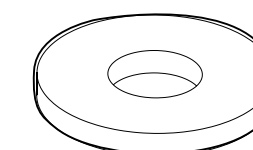
S-D (x4)
Hexagon head screw



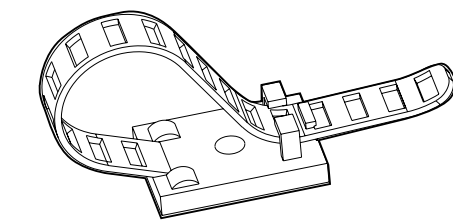
S-E (x4)
Phillips head screw



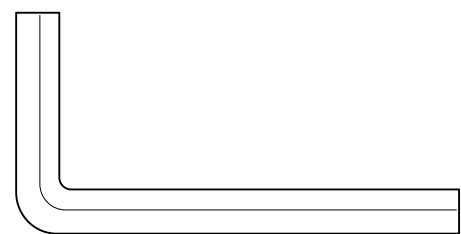
S-F (x9)
Silicon pad



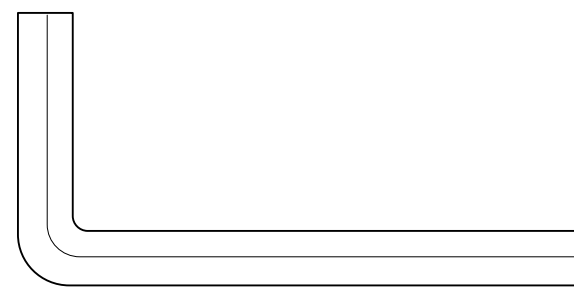
S-G (x6)
Washer



S-H (x4)
Cable clip



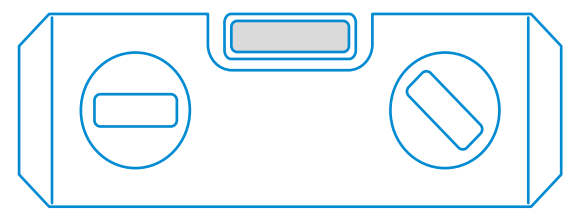
S-I (x1)
4mm Allen key



S-J (x1)
8mm Allen key

Required tools

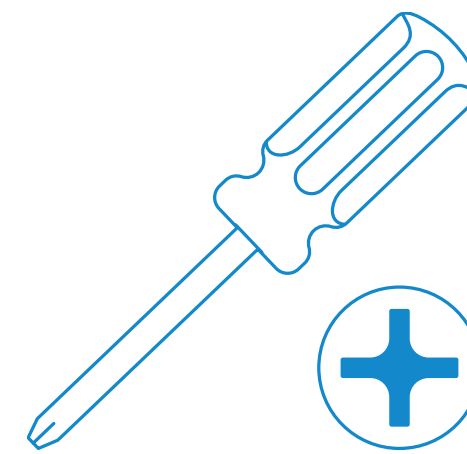
*Required tools to assemble the electric desk



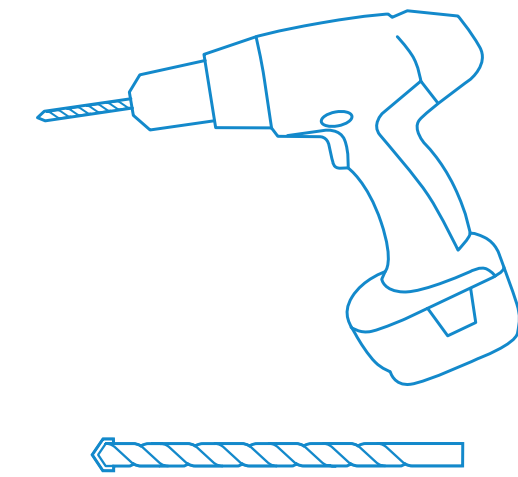
Bubble level



Allen key
(included)



Screwdriver




Drill

Before installation

- Read carefully through the manual, if you have any questions regarding instructions or warnings, please contact your local distributor.
- Ensure that you have received all parts according to the component checklist prior to installation. If any parts are missing or faulty, telephone your local distributor for a replacement.



- Failure to fully comply with the instructions marked with “Caution”, “”, warnings and additional information may result in serious damage to the system or its components.
- This product can be used by adults and children from 8 years old (under supervision). Children should never be unsupervised with the product switched on. Cleaning and maintenance procedures must be carried out by an adult. Unplug the table when the system is not in use and keep the plug out of the reach of children.
- Users with disabilities or lack of experience and knowledge about the operation of the device should be carefully supervised and instructed before using this product.
- To avoid serious personal injury, the desktop should never be sat on.
- Check [here](#) to find out more about bracket warranty.



Electrical safety instructions:

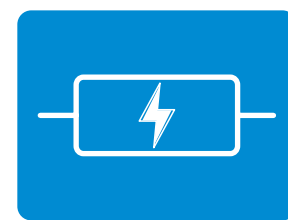
This product is electrically operated. Please read the instructions carefully to avoid burns, fire and electric shock.



Do not clean the product with water while it is plugged in.



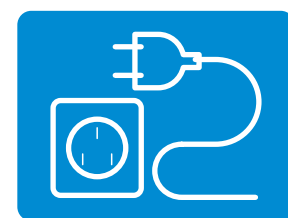
Do not operate the unit in wet environments or when its electrical components are in contact with liquids.



Do not disassemble or replace components while the power is on.



Do not use the unit if the control panel emits noises or odours.
Do not modify or handle the power supply or the control panel.



Never use the device with a damaged cord or plug.
Contact your supplier for replacement of damaged parts.

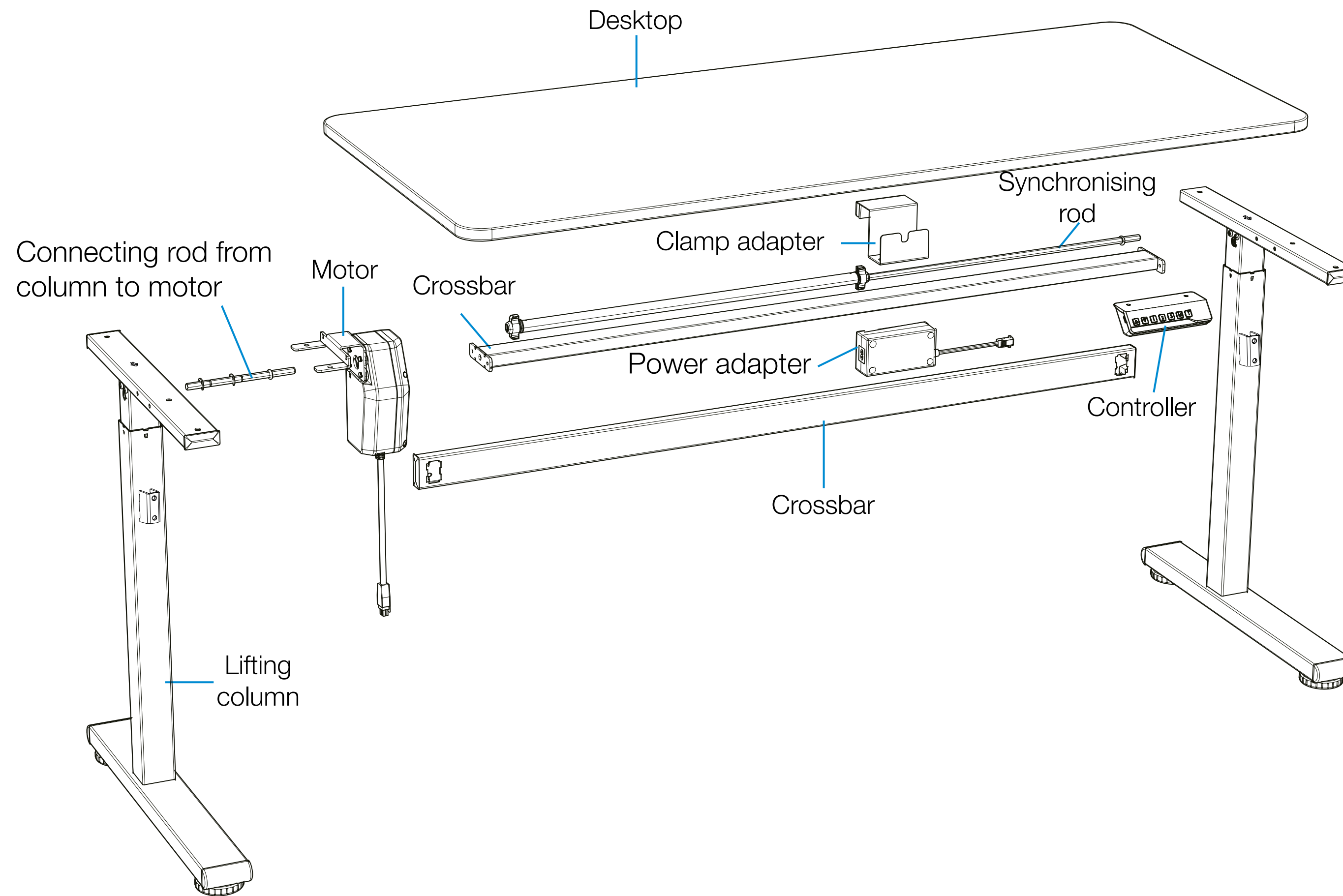


CAUTION

- Remove all obstacles from the height adjustment area.
- Never leave cables or plugs out of place to avoid possible tripping.
- It is not allowed to rebuild the desk support.

- Do not add any elements to the adjustable joints of the desk frame.
- Do not use the product outdoors.

1. Detail of adjustable electric desk



2. Operating the control panel

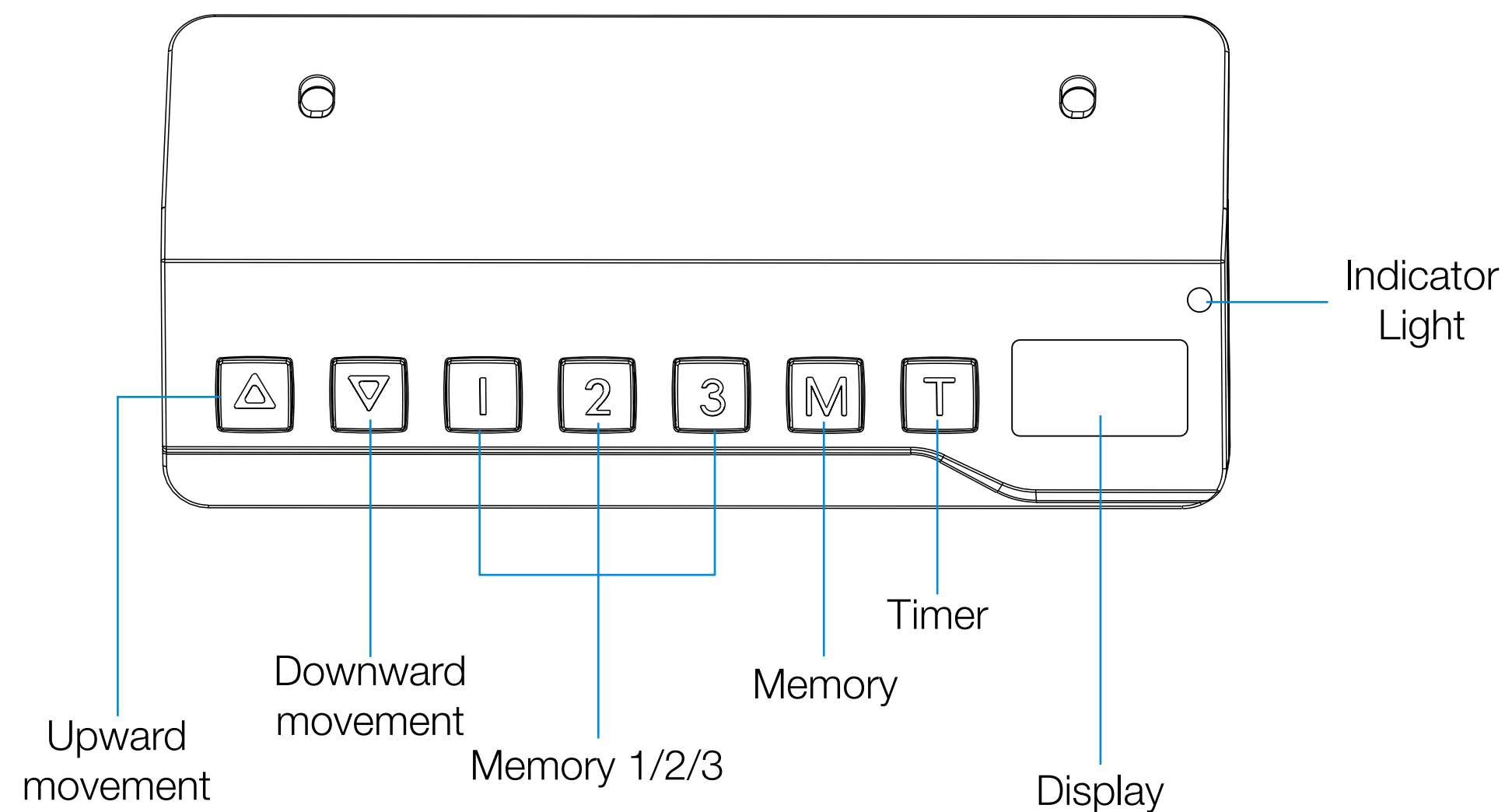
Note: Si el panel de control se utiliza por primera vez, por favor **reinicie el sistema** antes de realizar cualquier tipo de operación.

Reboot the system:

Press and hold the “▽” button until the display shows “r5t”. The desk will move to the lowest position.

Keep the button pressed, the desk will move up a little and the display will show the current height of the desk. The reset process is now complete.

Note: Unplug and re-plug the power cord from the desk each time you want to reset the system.



Height adjustment: Press and hold the “△” button to raise the desk. Press and hold the “▽” button to lower the desk.

Timer:

- Press “T” to be reminded by the system to change position. Each touch of the “T” button takes 0.5 hour increment. The maximum time setting is 2 hours.
- After the timer has been successfully set, the indicator light on the top right will light up.
- Once the set time has elapsed, the unit will beep 3 times as a reminder to the user.
- To clear the reminder, press the “T” button until the top right indicator light turns off.

Memory setting:

- To memorise a position, press the “M” button and the display will flash “5-”. Press the 1 / 2 / 3 button while flashing.
- To recall a previously stored position, press the 1 / 2 / 3 button directly and the table will move to the set memory position. Press any button to stop the movement.

Switching the value on the controller display between CM and INCH

- Press and hold the “T” button for approximately 3 seconds.
- When switching to metric (CM) a single beep will sound and when switching to imperial (IN) two beeps will sound.

Note: Unplug and re-plug the power cord from your desktop each time you wish to make a change to this setting.

Power Save Mode:

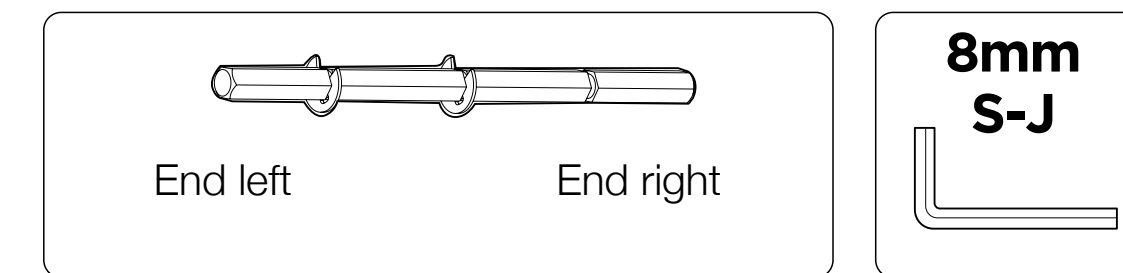
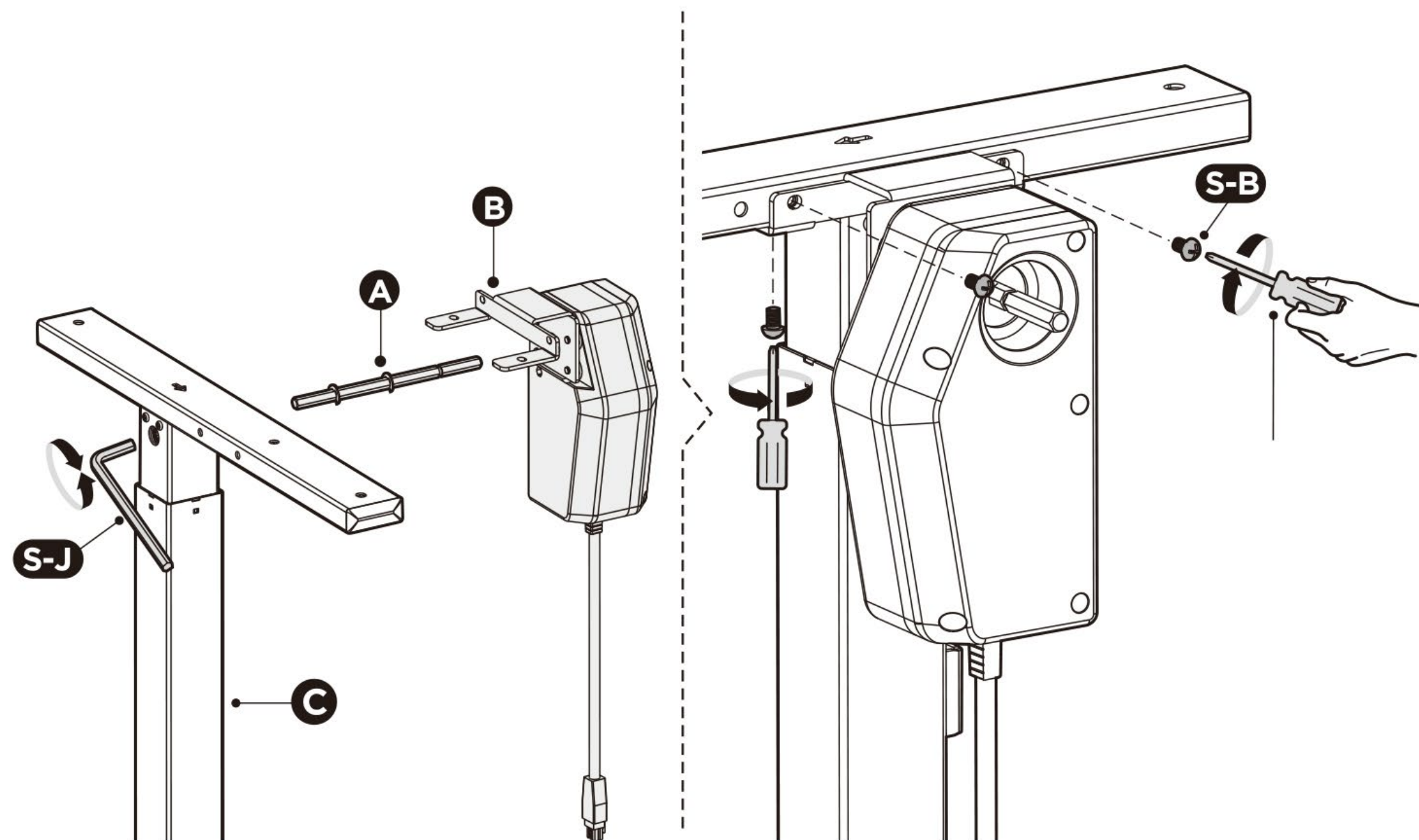
- The system will enter power save mode when it detects no activity for more than 1 minute. When this happens the display will turn off. Press any button to activate the panel.

3. Troubleshooting error codes

Error	Solutions
ER1	Please check if the desk is overloaded.If so, remove the objects. If not, unplug and plug the power back in. If the problem persists, contact your reseller for further assistance.
ER2	The system has experienced above-normal temperature. So, allow your desk to cool down and remain idle for approximately 20minutes. Never turn off the power during the process.
HOT	Allow the desk to cool down and remain idle for approximately 20 minutes. If the problem persists, contact your reseller for further assistance.
ER3	Cables were disconnected. Unplug and re-plug the cables between the columns and the AC adapter. Unplug and plug the power back in and restart the system. If the problem persists, contact your reseller for further assistance.
ER5	There are two possibilities: 1. Make sure you are using an original AC adapter. 2. An overload has occurred. Remove the items from the desk. Unplug and plug the power back in. If the problem persists, contact your reseller for further assistance.

NEVER unplug the power supply or restart the system when it is in thermal or overload protection mode.

4.Attachment of the engine to the lifting column

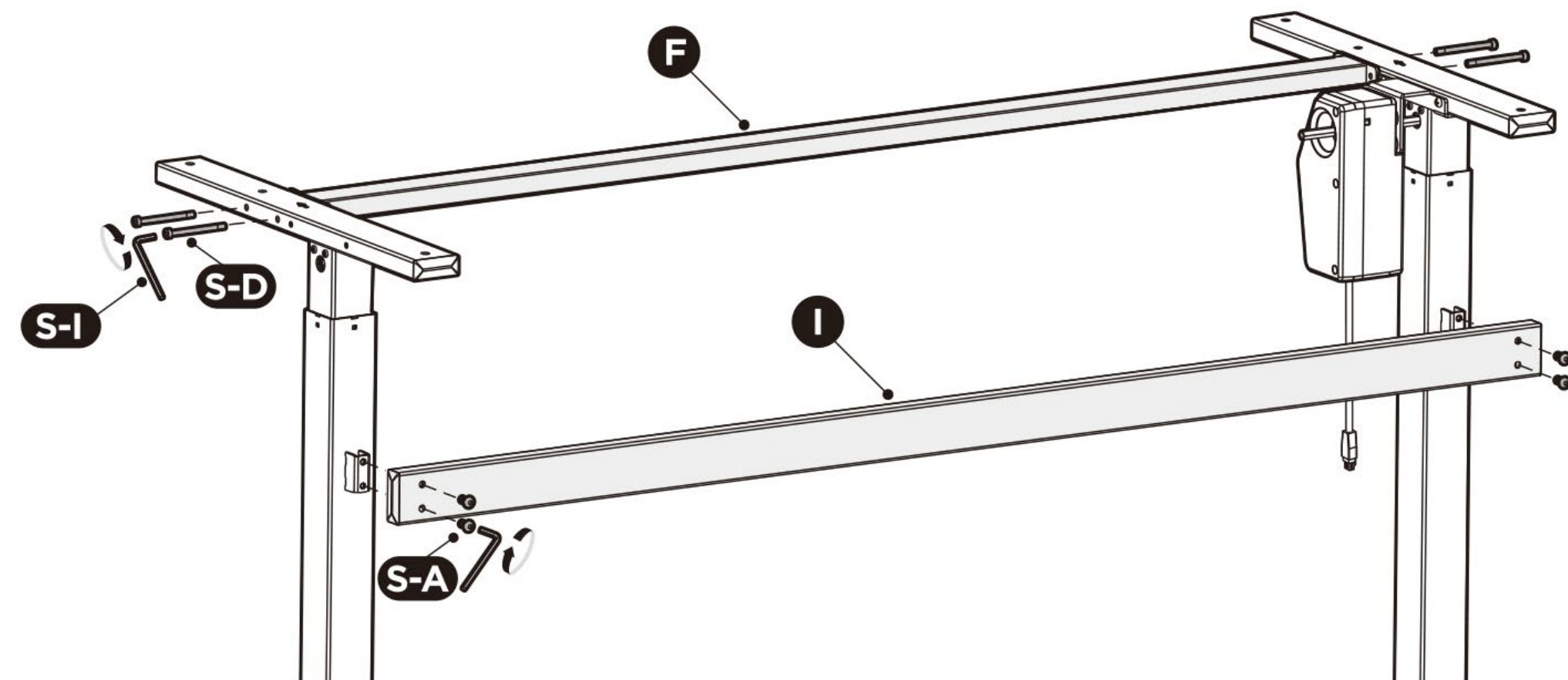
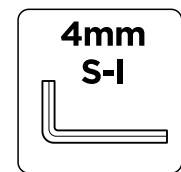


- Insert the right end of the connecting **A** rod into the hexagonal recess mounting hole on the motor **B**
- Insert the left end of the connecting rod into the hexagonal recess mounting hole of the lifting column **C**
- There is no matching relationship between the motor and the lifting columns.

Note: If the mounting hole on the lifting column does not match the connecting rod, precisely adjust the mounting hole using an **8 mm Allen key S-J** to match.

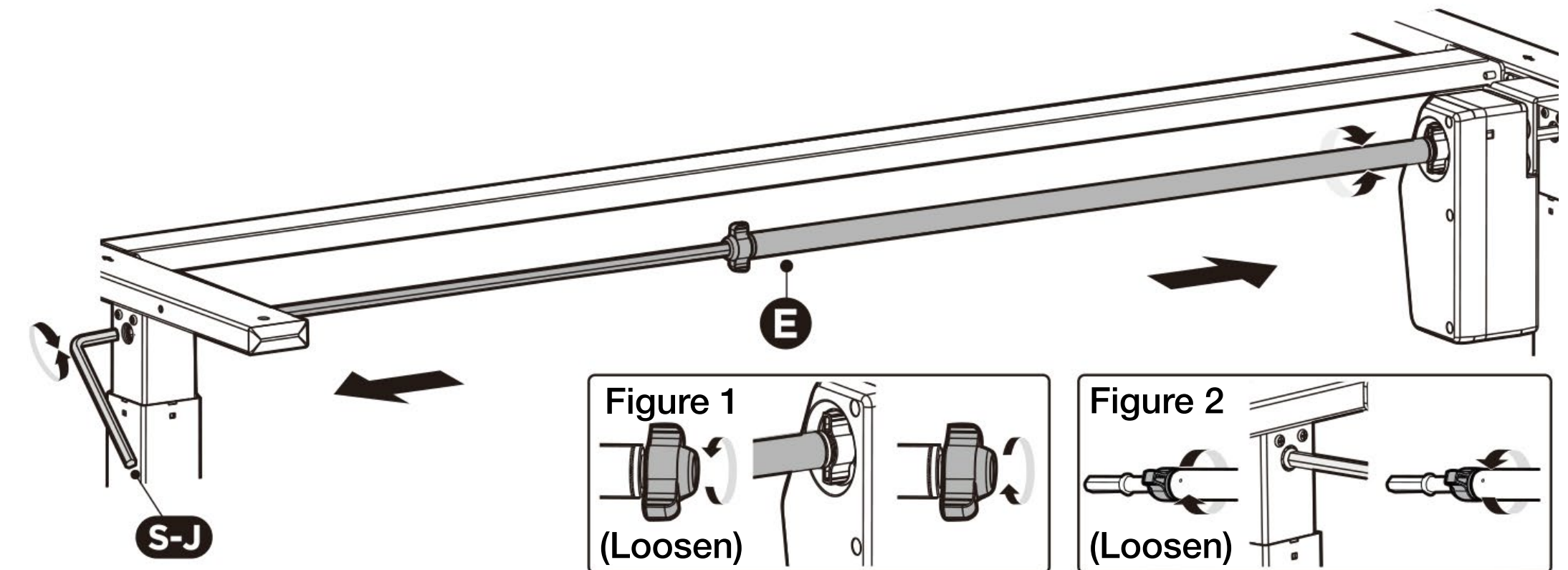
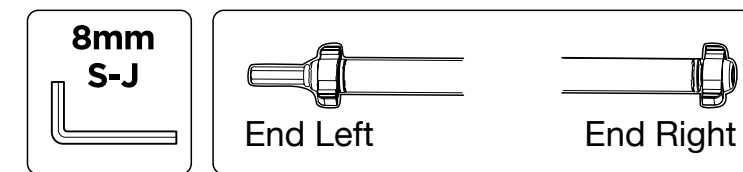
- Once inserted, secure the motor to the lifting column with 2 screws **S-B** from the column side and 2 screws **S-B** from the bottom using the phillips screwdriver.

5. Assembly of the crossbars



- Attach the cross bar **I** to the centre of the column with 4 screws **S-A** and then attach the cross bar **F** a la parte superior de las columnas con 4 tornillos **S-D**

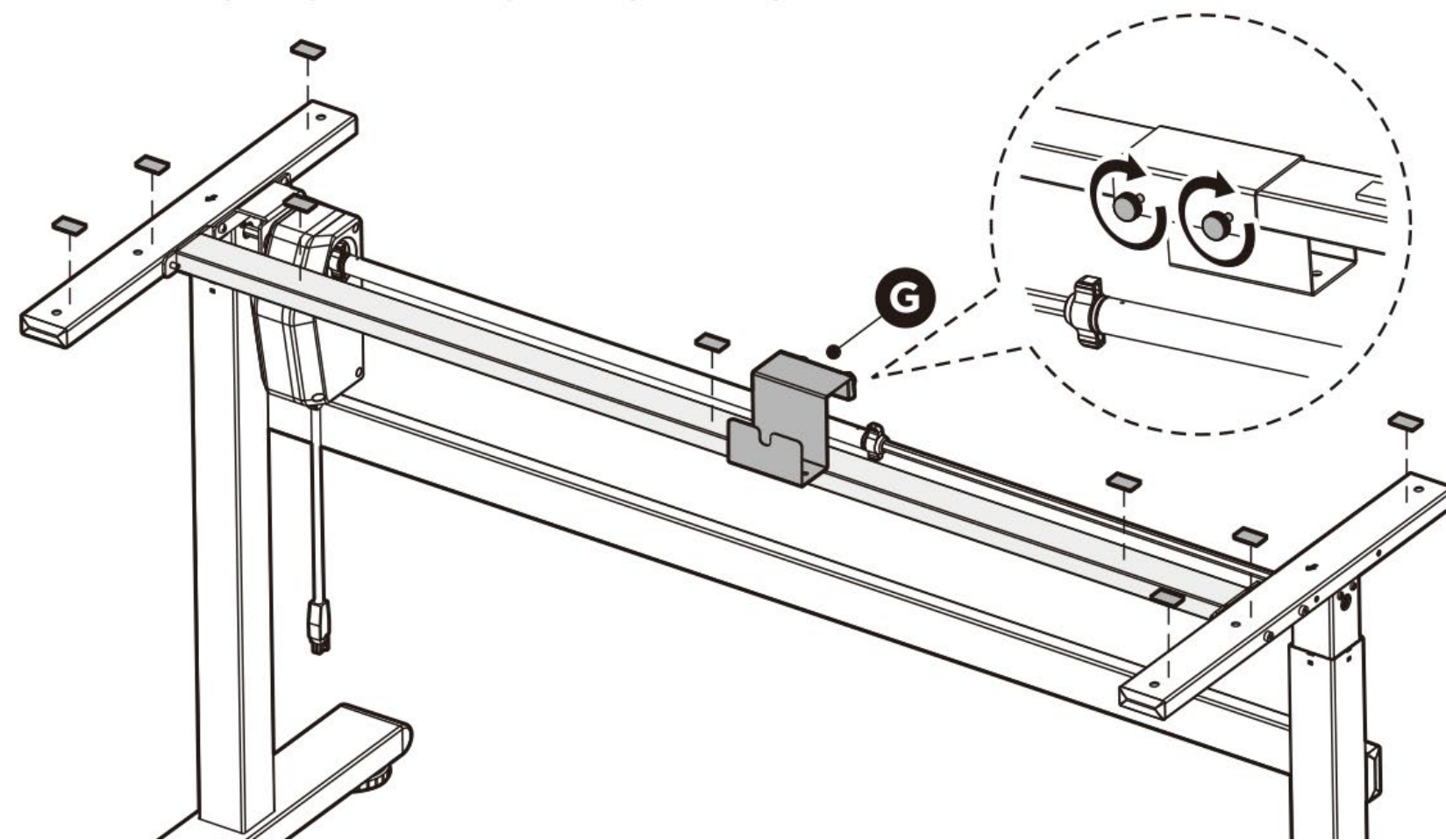
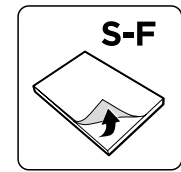
6. Assembly the synchronising rod



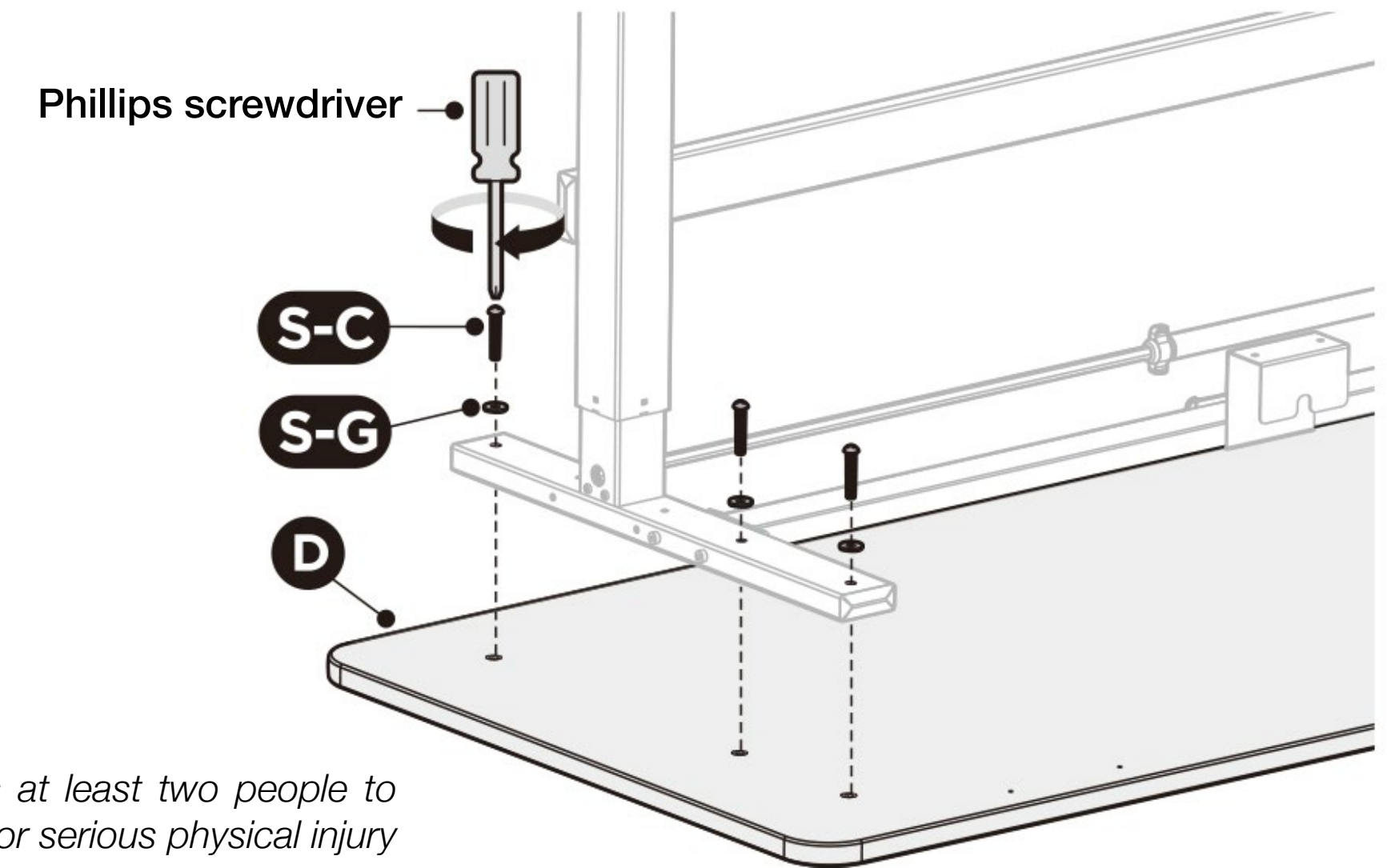
- Loosen the knob on the right end of the synchronisation **E** rod and attach it to the motor shaft as shown in Figure 1. Then tighten the knob.
- Loosen the knob on the left end of the synchronisation rod and pull out the inner rod to match the left end of the table.
- Insert the lower bar of the synchronisation rod into the hexagonal socket mounting hole of the lifting column as shown in Figure 2.

Note: If the mounting hole on the lifting column does not match the connecting rod, precisely adjust the mounting hole using an **8 mm Allen S-J** panner to match.

7. Assembly of the Desktop



- Stick the 9 rubber pads **S-F** in the positions closest to the holes in the frame as shown in the picture below. Attach the adapter bracket **G** to the cross bar.

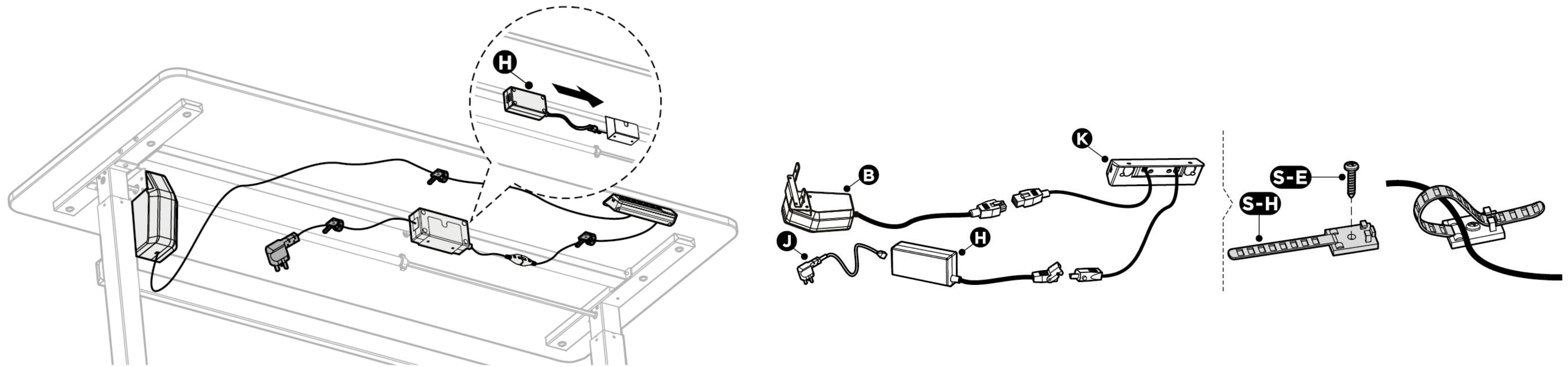


CAUTION

CAUTION: It takes at least two people to turn the desk over, or serious physical injury could happen.

- Carefully place the desk **D** face down on the floor as shown.
- Turn the desk top over with the help of another person.
- Align the mounting holes found on the desk with the holes found on the desk frame.
- Insert and tighten the 6 screws **S-C** and washers **S-G** with a phillips screwdriver.

8. Connecting the power supply adapter

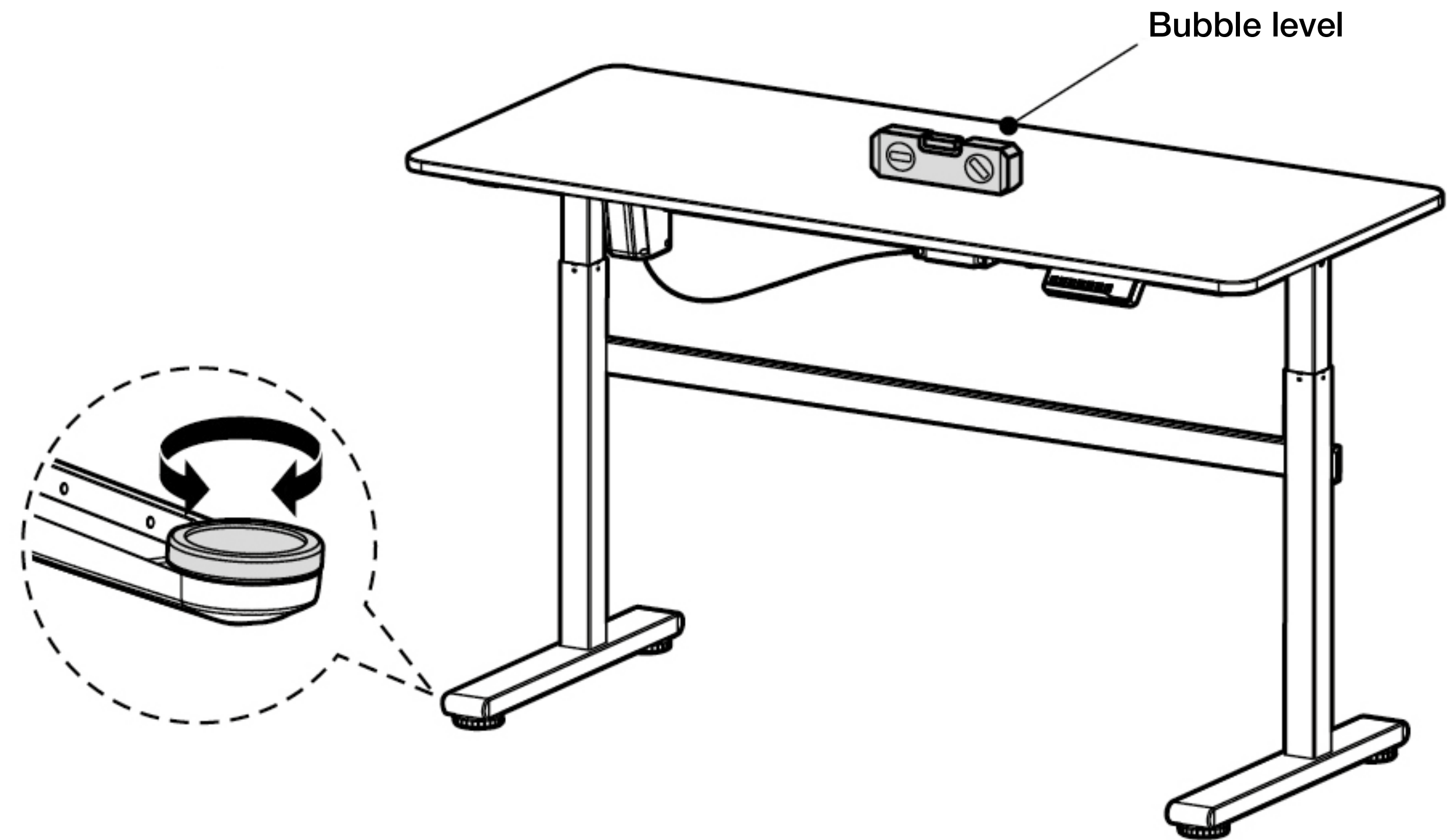


- Turn the desk over with the help of another person.
- Slide the power adapter **H** into the adapter.
- Connect the controller **K** with the power adapter **H** and the motor **B** as shown in the figure.
- Insert the power cable into **J** the power adapter.
- Once the cables are connected, attach the cable **S-H** clip to the desk.
- Attach the cable clip to the desk with the screw **S-E**

9. Level adjustment

Each foot pad can be adjusted independently for fine tuning. Slightly turn the foot pad to lower or raise the base.

Advice: Use a spirit level to make sure the desk is even.
If you are using the desktop for the first time, you need to restart the system.
Refer to the digital control panel user's guide.



Keep up with the latest news and events!

Follow us in social networks

