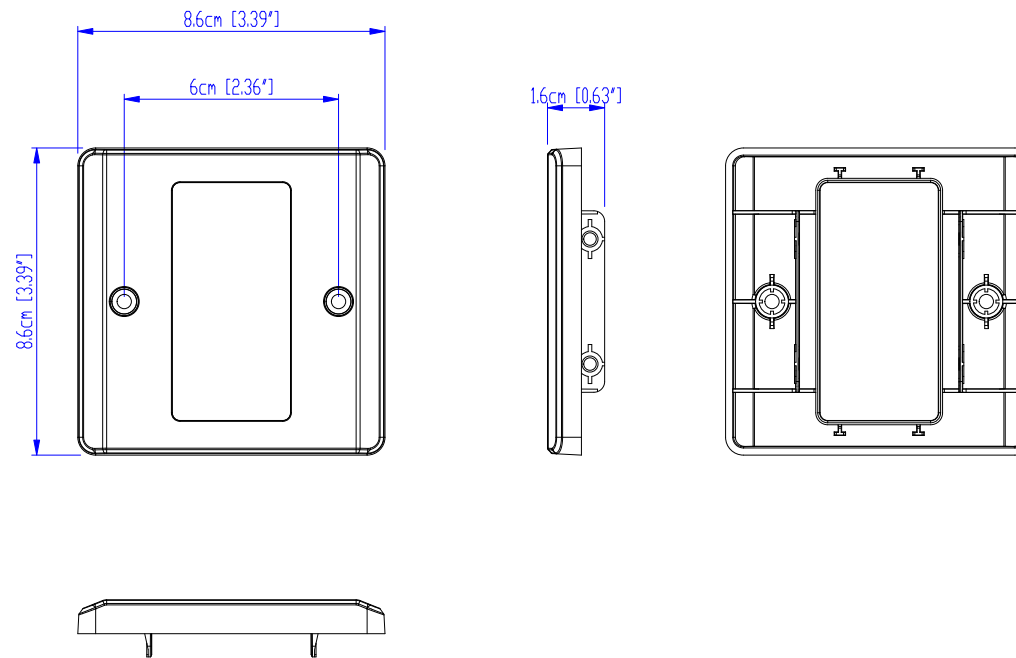
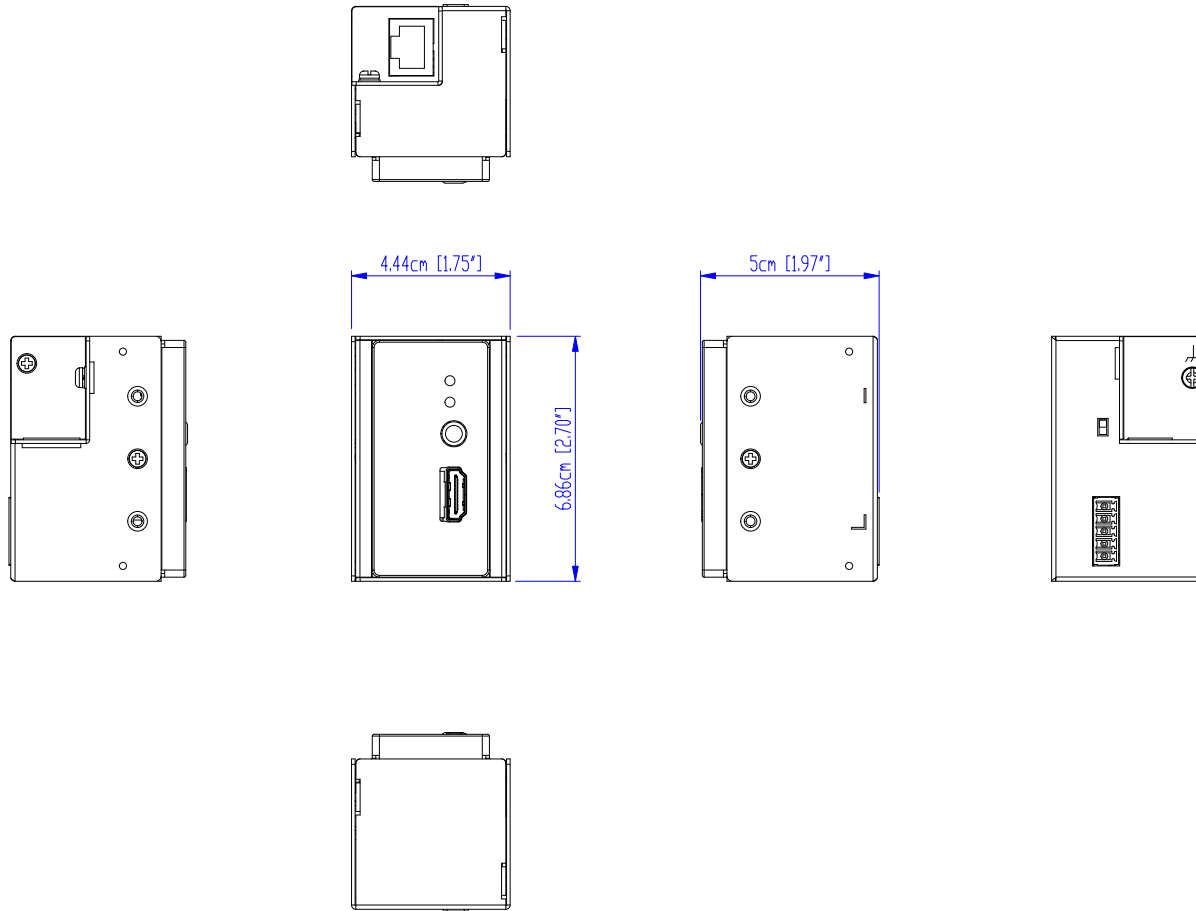


CAD Drawings

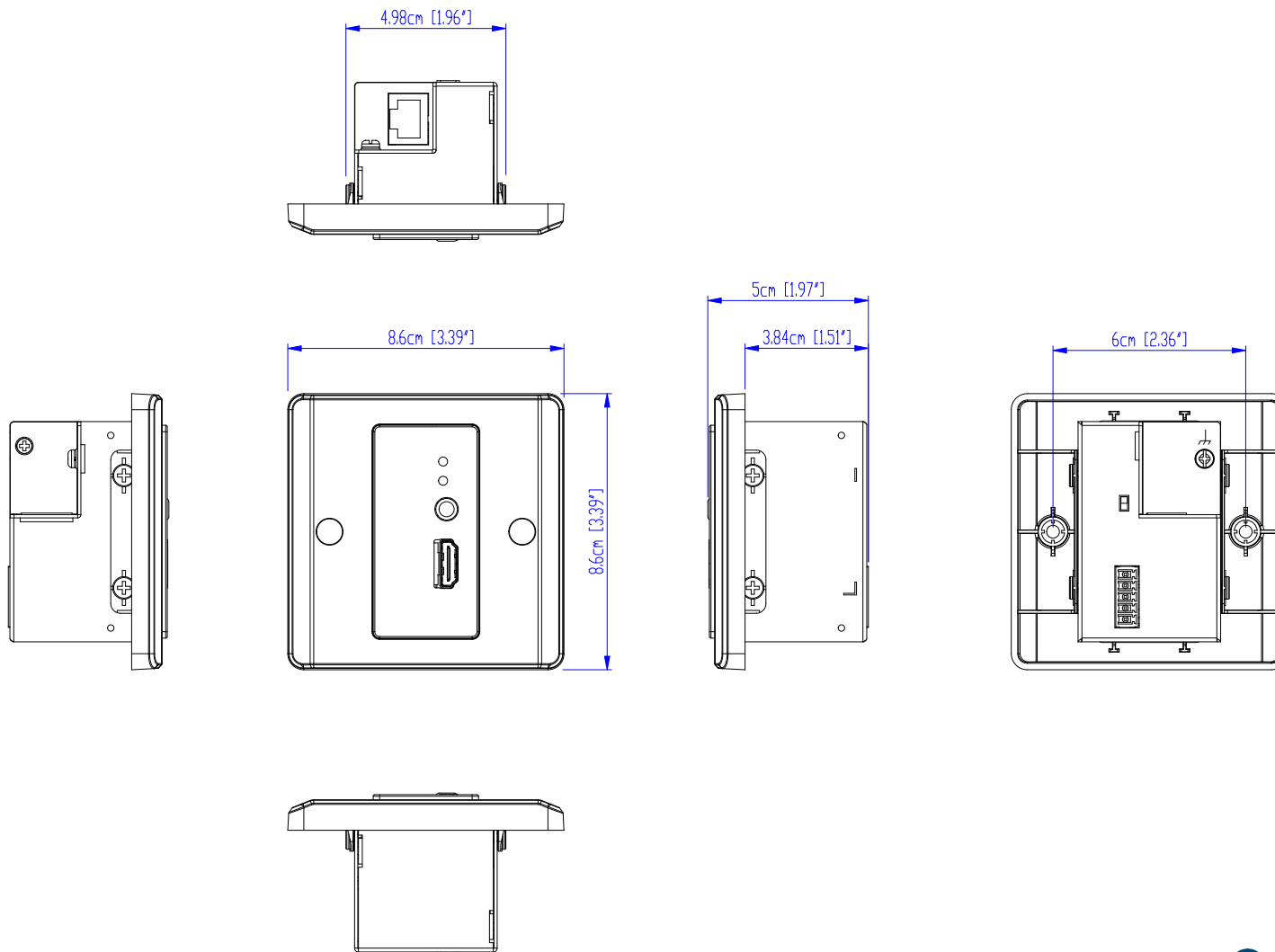


ATEN

VE1801AEUT

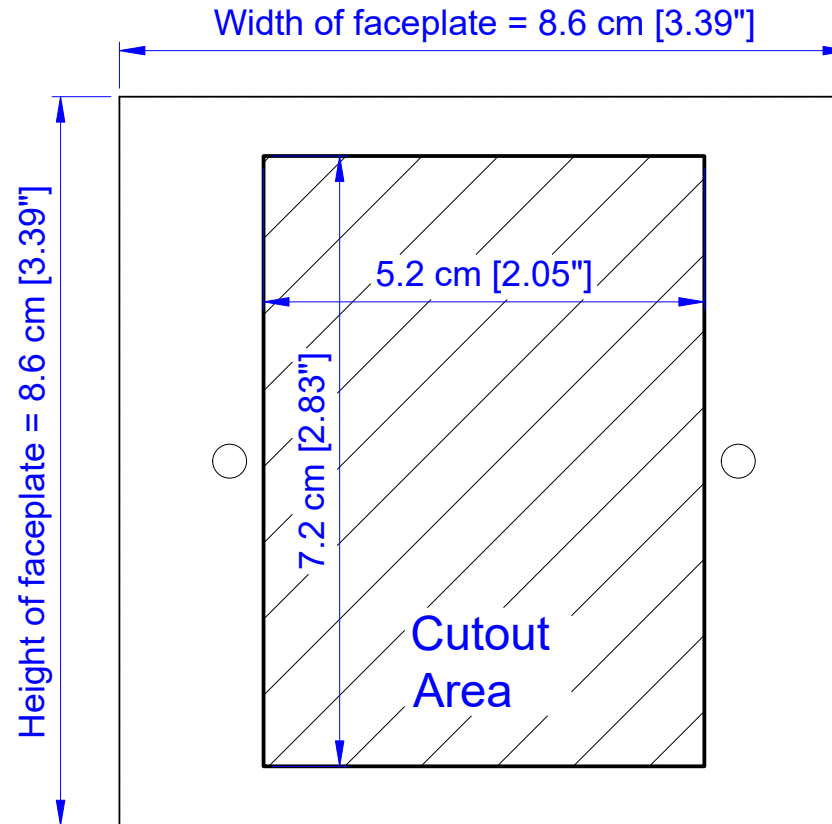


ATEN
VE1801AEUT



ATEN
VE1801AEUT

Panel Mount Cutout



Note: ATEN recommends a 1-gang wall box with a depth of at least 5.5 cm (2.17 inches) to accommodate the connectors and cables.



VE1801AEUT
VE1901AEUT