

Philips SilentStar
Vacuum cleaner with bag
with SilentSeal nozzle

2000W

FC9310/02



Extremely powerful, surprisingly silent

Tough on dust, gentle on your ears

Enjoy a relaxing, undisturbed home life with Philips SilentStar vacuum cleaner. With its unique SilentSeal nozzle, this vacuum cleaner delivers powerful cleaning performance with low noise.

Superior cleaning

- 2000 Watt motor generating max. 450 Watt suction power

Low noise, maximum suction with SilentSeal nozzle

- Optimal performance & low noise due to the SilentSeal nozzle
- Noise reduction to a low 73dB due to aerodynamic air channel

Highly efficient anti-allergy system

- HEPA AirSeal plus HEPA 13 washable filter
- ECARF Seal of Quality for trusted results

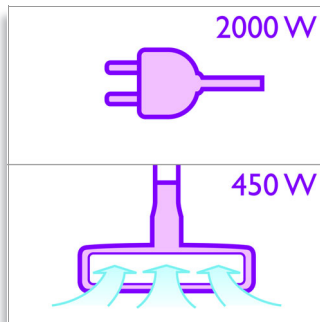
Easy to use all over the house

- Two comfortable carrying handles for extra convenience

PHILIPS
sense and simplicity

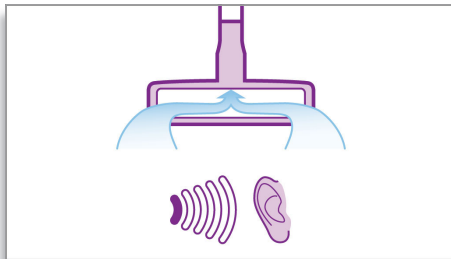
Highlights

2000 Watt motor



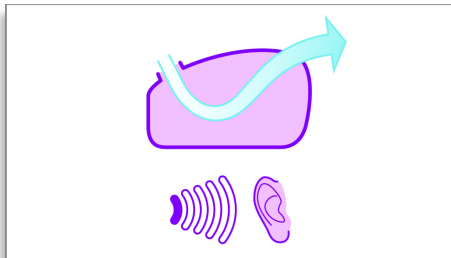
Powerful 2000 Watt motor generates max. 450 Watt suction power for superior cleaning results

SilentSeal nozzle



The SilentSeal nozzle contributes to an optimal performance in both low noise and dust and fluff pick up. It is optimally sealed for efficient airflow resulting in best cleaning performance - made by WesselWerk.

Aerodynamic air channel



The air channel has been finetuned to make sure the air slides a smooth way out that minimizes noise

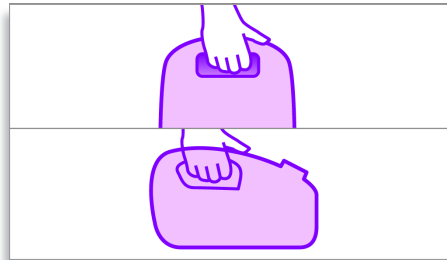
creation. Additionally a special motor suspension reduces vibrations.

HEPA AirSeal, HEPA 13 filter



This Philips vacuum cleaner has been designed in such a way that all the air taken in is passed through the washable HEPA 13 filter (99.95% filtration) before it is exhausted. No escape is possible.

Comfortable carrying handles



This vacuum cleaner has not one, but two carrying handles. When it is on its wheels, there is a handle on top which enables you to easily move the cleaner around with very little bending. The second handle on the front side of the appliance enables you to comfortably carry it around in an upright position.

Specifications

Design

- Color: Deep black

Filtration

- Dust bag type: s-bag
- Exhaust filter: Ultra Clean Air HEPA 13 washable filter
- HEPA AirSeal
- Dust capacity: 3.5 l

Nozzles and accessories

- Accessories: Brush, Crevice tool, Small nozzle
- Accessory storage: On handgrip
- Standard nozzle: Low noise SilentSeal nozzle

Performance

- Airflow (max): 50 l/s
- Input power (IEC): 1800 W
- Input power (max): 2000 W
- Noise level (Lc IEC): 73 dB
- Suction power (max): 450 W
- Vacuum (max): 34 kPa

Sustainability

- Packaging: > 90% recycled materials
- User manual: 100% recycled paper

Usability

- Carrying handle: Top and front
- Clean Comfort cassette
- Tube coupling: Easy release
- Dust bag full indicator
- Power control: Electronic on appliance
- Tube type: Metal 2-piece telescopic tube
- Wheel type: Rubber
- Action radius: 11 m
- Cord length: 8 m

Weight and dimensions

- Dimensions of product (LxWxH): 500 x 290 x 250 mm
- Weight of product: 6.8 kg



Issue date 2013-04-19

Version: 3.0.1

© 2013 Koninklijke Philips Electronics N.V.
All Rights reserved.

Specifications are subject to change without notice.
Trademarks are the property of Koninklijke Philips
Electronics N.V. or their respective owners.

www.philips.com