

WL35-550BL14

NEOMOUNTS WL35-550BL14 TV MOUNT WALL 40-75" - TILTABLE - EASY INSTALL

SPECIFICATIONS

GENERAL

| | |
|-------------------|------------|
| Min. screen size* | 40 |
| Max. screen size* | 75 |
| Max. weight | 50 |
| Screens | 1 |
| Distance to wall | 3,3 cm |
| VESA maximum | 400x400 mm |
| VESA minimum | 100x100 mm |

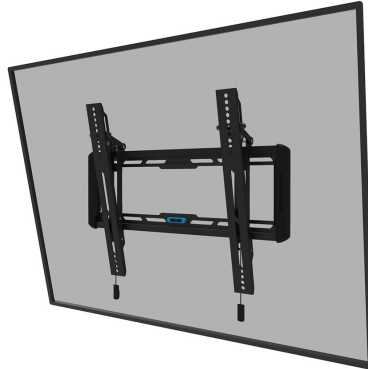
FUNCTIE

| | |
|-----------------|--------------|
| Type | Tilt |
| Lockable | Not lockable |
| Tilt (degrees) | 12° |
| Height | 42,5 cm |
| Width | 53,5 cm |
| Depth | 3,3 cm |
| Adjustment type | Manual |

INFORMATION

| | |
|---------------|-----------|
| Series | LEVEL 550 |
| Color | Black |
| Main material | Steel |
| Warranty | 5 year |

*Please note: The inch sizes stated are just an indication, combined with the weight and VESA sizes. The maximum weight and VESA size are absolute restrictions for the products and should not be exceeded.



Neomounts



Neomounts

Neomounts LEVEL-550 WL35-550BL14 Tilttable TV mount wall - 40-75" - max 50 kg - VESA 100x100-400x400 - d 3,3 cm - Easy Install-model - black

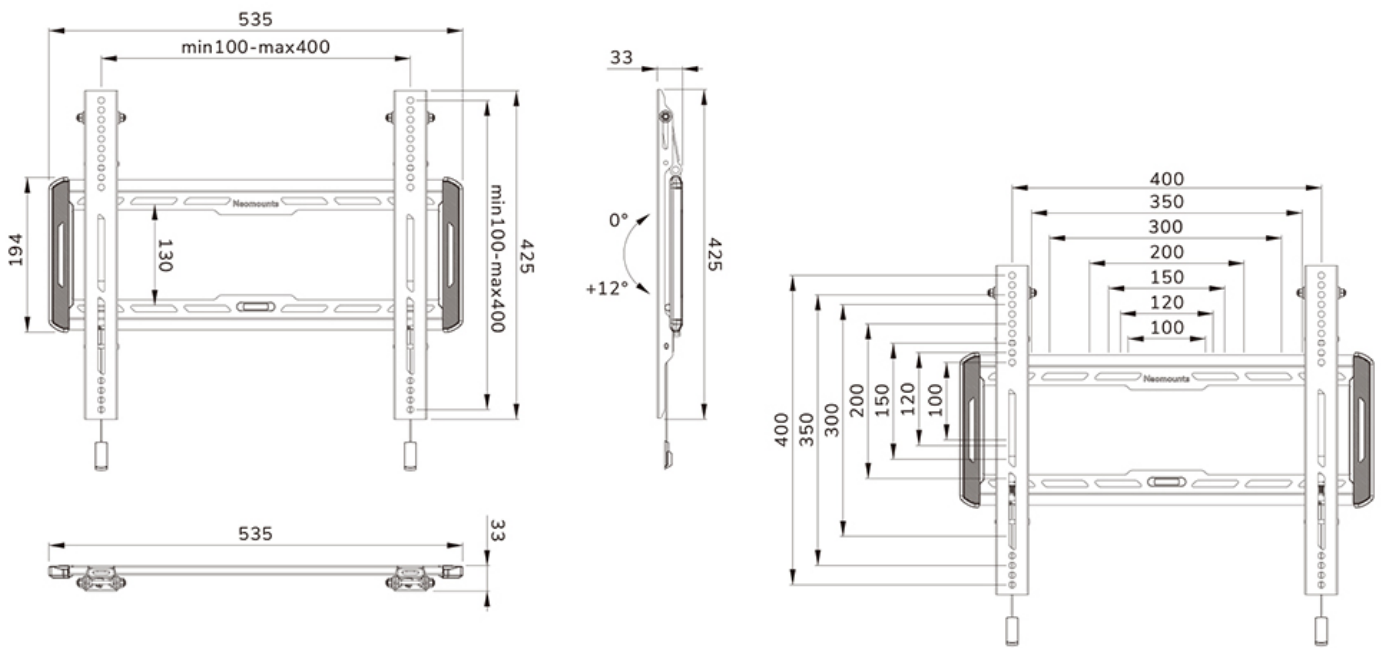
The Neomounts WL35-550BL14 LEVEL is a tilttable wall mount for flat screens up to 75" with a maximum weight capacity of 50 kg. The versatile tilt (12°) technology allows you to create the optimum viewing angle.

The LEVEL-550 wall mount has a depth of 3,3 cm and is suitable for screens that meet VESA hole pattern 100x100 to 400x400 mm.

The WL35-550BL14 features a nifty magnetic pull & release system, that allows you to attach the TV in a wink of an eye and secure the TV in safe and solid manner. Afterwards, the pull & release straps can be easily hidden behind the screen by clicking the magnet to the mount. The integrated spirit level assures easy installation of the mount.

WL35-550BL14

NEOMOUNTS WL35-550BL14 TV MOUNT WALL 40-75" - TILTABLE - EASY INSTALL



Neomounts

Measuring unit: mm