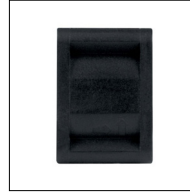


# S4028-6K

40 mm Server Fan

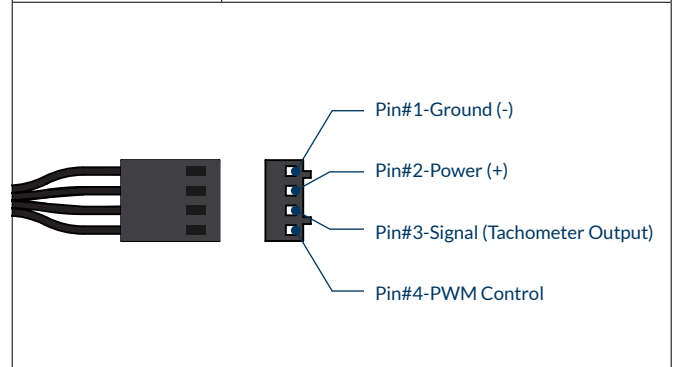


## General Specifications

Dimensions	40 (L) x 40 (W) x 28 (H) mm
Weight	40 g
Flammability UL94	V-0
Warranty	6 Years

## Fan Specifications

Speed	250–6000 rpm
Speed Control	Pulse Width Modulation – PWM
Static Pressure	4.2 mm H <sub>2</sub> O
Airflow	7.1 CFM/12.06 m <sup>3</sup> /h
Bearing	Dual Ball Bearing
Cable Length	400 mm, Black
Connector	2510 4-Pin Fan-Connector
Current/Voltage	0.1 A/12.0 V DC
Start up Voltage	4.5 V



## Shipping Information – Single Fan

Package Content	S4028-6K x1 Mounting Screws x4
Box Dimensions	45 (L) x 33 (W) x 57 (H) mm
Gross Weight	48 g
SKU	ACFAN00185A
EAN	4895213703796
UPC	840033401609

## Shipping Information – Value Pack

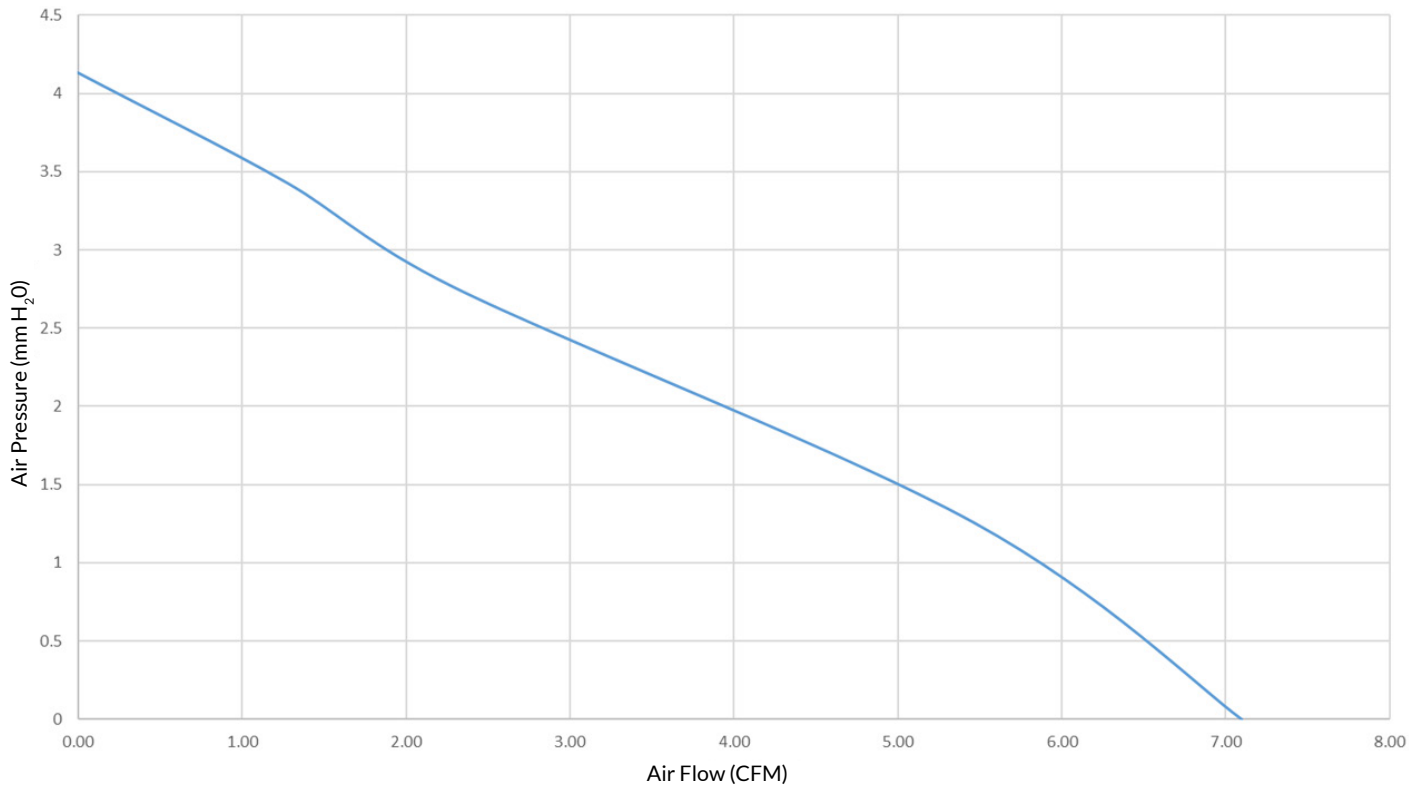
Package Content	S4028-6K x5 Mounting Screws x20
Box Dimensions	86 (L) x 90 (W) x 55 (H) mm
Gross Weight	230 g
SKU	ACFAN00273A
EAN	4895213703819
UPC	840033401623

# S4028-6K

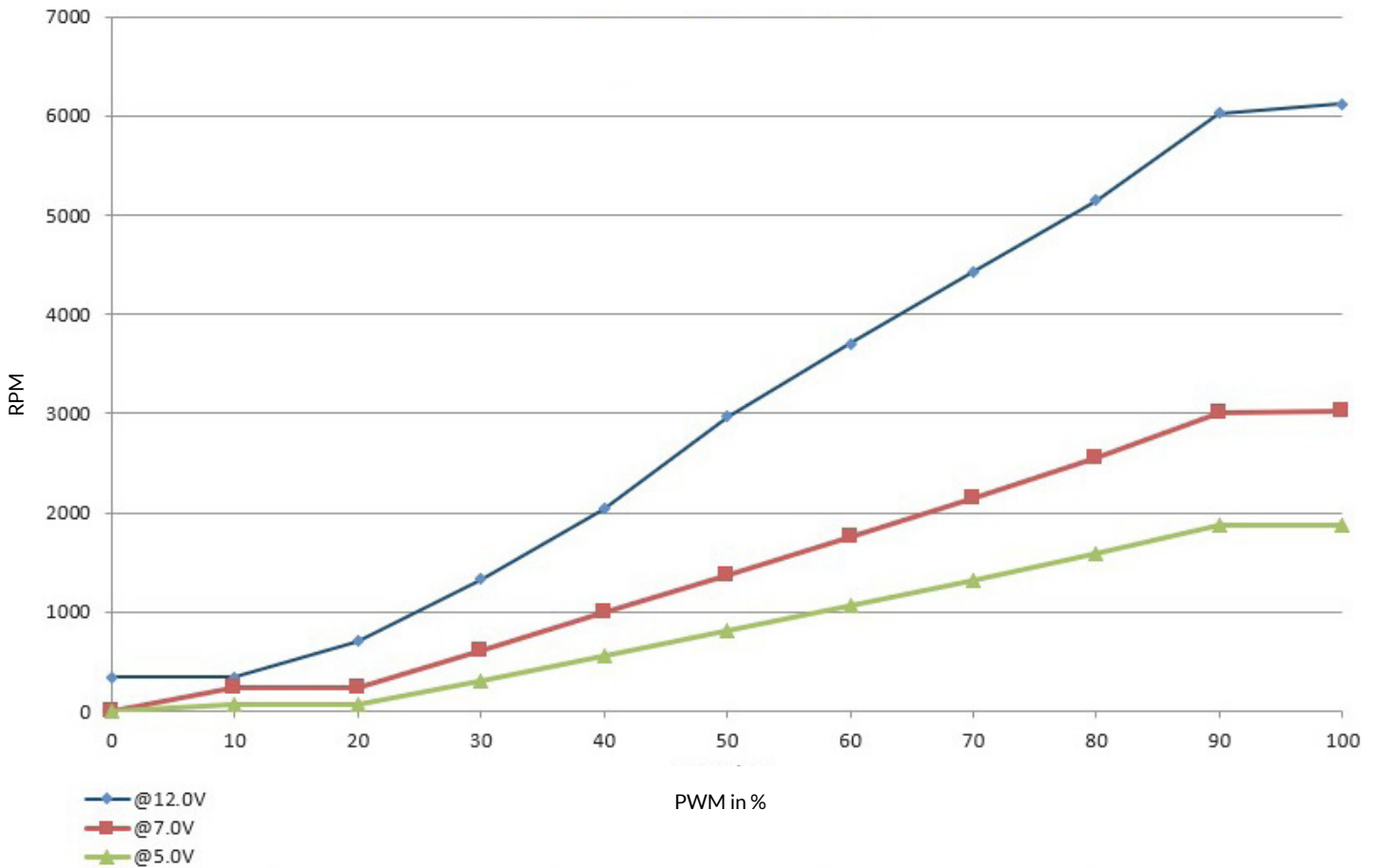
40 mm Server Fan



### P/Q Curve

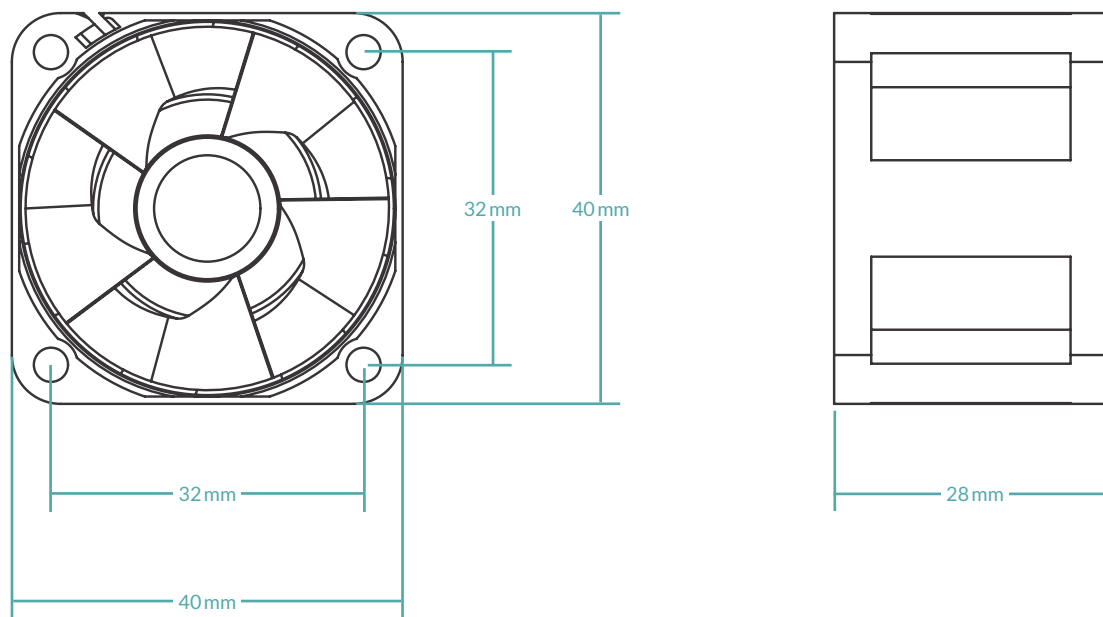


### PWM to rpm Curve



# S4028-6K

40 mm Server Fan



All materials are compatible with RoHS requirements

MORE INFORMATION



MANUALS

