

CL25-530BL1

SPECIFICATIONS

GENERAL

Min. weight	0
Max. weight	45

FUNCTIE

Tilt (degrees)	+20°, -20°
Swivel (degrees)	+8°, -8°
Rotate (degrees)	+180°, -180°
Height	25,5 cm
Width	47 cm
Depth	47 cm
Adjustment type	Manual

INFORMATION

Color	Black
Main material	Steel
Warranty	5 year

*Please note: The inch sizes stated are just an indication, combined with the weight and VESA sizes. The maximum weight and VESA size are absolute restrictions for the products and should not be exceeded.

NEOMOUNTS CL25-530BL1 BEAMER CEILING MOUNT - H 25,5 CM - EASY-INSTALL - FULL MOTION



Neomounts



Neomounts

Neomounts CL25-530BL1 Beamer ceiling mount - max 45 kg - h 25,5 cm - Easy Install-model - full motion - black

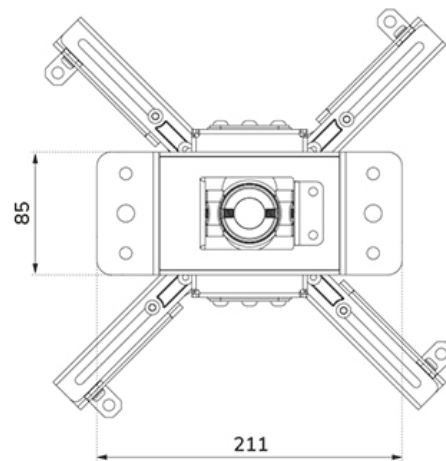
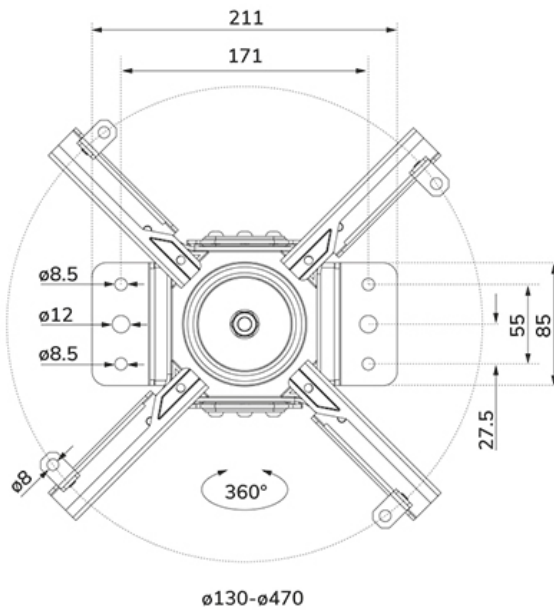
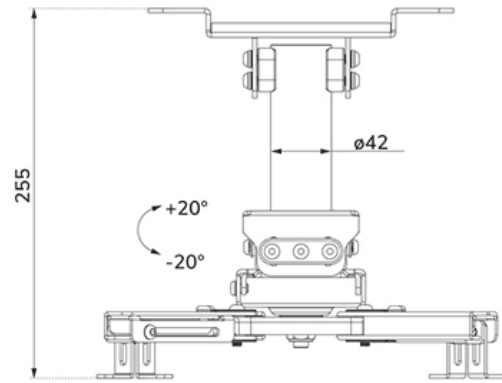
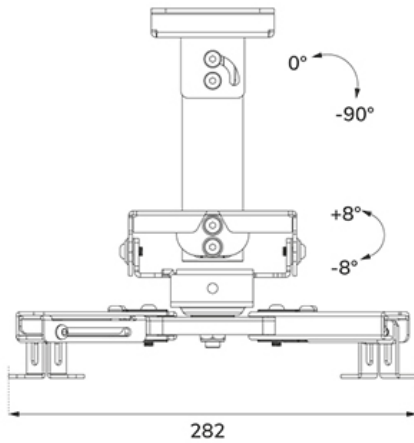
The Neomounts CL25-530BL1 is a universal projector ceiling mount. Because of the high weight capacity up to 45 kg and the various adjustment options, this projector ceiling mount is widely applicable. The CL25-530BL1 has four extendable arms and the versatile tilt (+20°, -20°), rotate (360°) and swivel (+8°, -8°) technology, provides optimal placement of the projection on any canvas, screen or wall.

The Neomounts CL25-530BL1 is equipped with an Easy-release system, which highly eases installation; (de)installation of the projector to the projector mount can be done in an instant and by only one person. In addition, the round pole allows easy installation to a suspended ceiling. Finally, the pole of the Neomounts projector mount can be tilted on the ceiling side, so that installation against a sloped ceiling is effortless. The fixation of the mount itself is sturdy and firm, therefore vibration free.

The cable management system of the CL25-530BL1 ensures the cables are neatly concealed, because they are routed through the pole of the projector ceiling mount.

CL25-530BL1

NEOMOUNTS CL25-530BL1 BEAMER CEILING MOUNT - H 25,5 CM - EASY-INSTALL - FULL MOTION



Neomounts

Measuring unit: mm