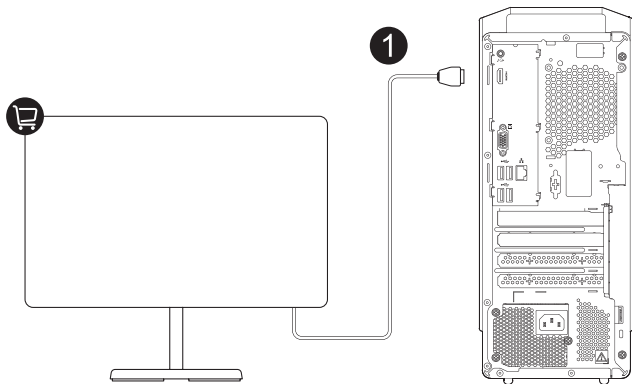


IdeaCentre Gaming 5i (14L,6)

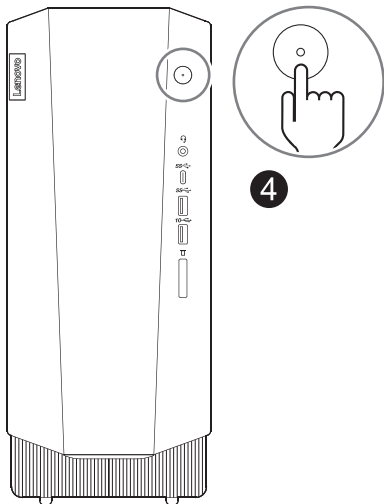
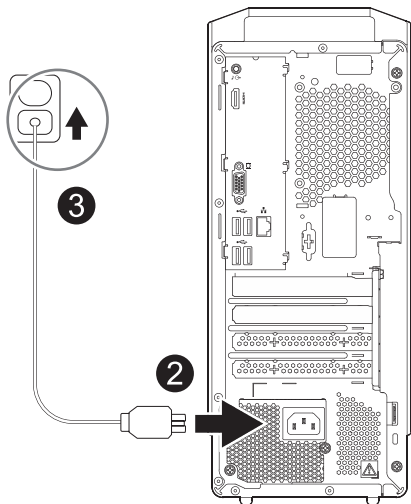
IdeaCentre Creator 5i (14L,6)

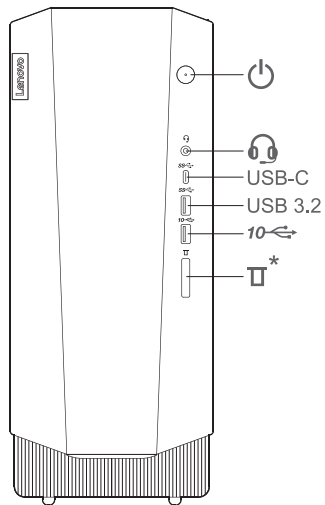
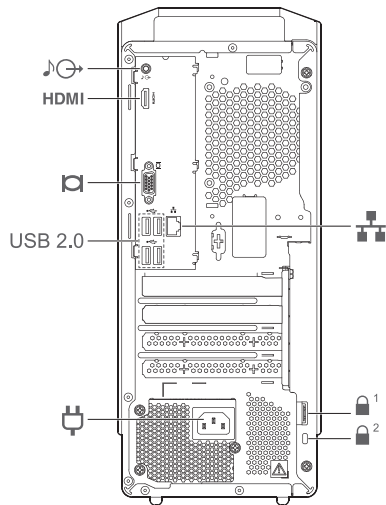
IdeaCentre Gaming 5 (14L,6)



i The illustrations are for your reference.

* For selected models







Power button



Headset connector



USB 3.2 connector Gen 2



SD-card slot



Audio line-out connector



VGA-out connector



Ethernet connector



Power cord connector



Padlock loop



Security-lock slot

USB transfer rate

Read the statement on USB transfer rate in the *User Guide*. Refer to the *Safety and Warranty Guide* for accessing the *User Guide*.

European Union — compliance with the Radio Equipment Directive

Hereby, Lenovo (Singapore) Pte. Ltd., declares that the radio equipment types IdeaCentre Gaming5 14IOB6, IC Creator 5 14IOB6 and IdeaCentre Gaming5 14ACN6 are in compliance with Directive 2014/53/EU.

The full text of the system EU declaration of conformity is available at the following Internet address: <https://www.lenovo.com/us/en/compliance/eu-doc>

This radio equipment operates with the following frequency bands and maximum radio-frequency power:

| Technology | Frequency band [MHz] | Maximum transmit power |
|----------------------|----------------------|------------------------|
| WLAN 802.11b/g/n/ax | 2400 - 2483.5 | < 20 dBm |
| WLAN 802.11a/n/ac/ax | 5150 - 5725 | < 23 dBm |
| WLAN 802.11a/n/ac/ax | 5725 - 5875 | < 13.98 dBm |
| Bluetooth BR/EDR/LE | 2400 - 2483.5 | < 20 dBm |

Usage of all the radio devices is limited to indoor in the band 5150 MHz to 5350 MHz (channels 36, 40, 44, 48, 52, 56, 60, 64).

First Edition (March 2021)
© Copyright Lenovo 2021.

LENOVO, LENOVO logo and IDEACENTRE are trademarks of Lenovo. The terms HDMI and HDMI High-Definition Multimedia Interface are trademarks or registered trademarks of HDMI Licensing LLC in the United States and other countries. USB-C is a trademark of USB Implementers Forum. All other trademarks are the property of their respective owners.

LIMITED AND RESTRICTED RIGHTS NOTICE:

If data or software is delivered pursuant to a General Services Administration "GSA" contract, use, reproduction, or disclosure is subject to restrictions set forth in Contract No. GS-35F-05925.

Reduce
Reuse
Recycle

