

## DS15-630WH1

## NEOMOUNTS COUNTERTOP/WALL MOUNT

### SPECIFICATIONS

#### GENERAL

|              |          |
|--------------|----------|
| VESA minimum | 75x75 mm |
| VESA maximum | 75x75 mm |

#### FUNCTIONALITY

|                  |                          |
|------------------|--------------------------|
| Type             | Rotate                   |
| Lockable         | Lockable - Lock included |
| Rotate (degrees) | +90°                     |
| Height           | 18,6 cm                  |
| Width            | 34,3 cm                  |
| Depth            | 20,6 cm                  |

#### INFORMATION

|               |               |
|---------------|---------------|
| Color         | White         |
| Main material | Steel         |
| Warranty      | 5 year        |
| EAN code      | 8717371449339 |

\*Please note: The inch sizes stated are just an indication, combined with the weight and VESA sizes. The maximum weight and VESA size are absolute restrictions for the products and should not be exceeded.



Neomounts



Neomounts

### Neomounts DS15-630WH1 rotatable countertop/wall mount tablet holder for 9,7-11" tablets - White

The Neomounts DS15-630WH1 is a countertop/wall mount tablet holder that can rotate 90° to switch between portrait and landscape orientation. The clever design includes six different tablet inlay panels making the tablet holder suitable for various 9,7-11" tablets\*.

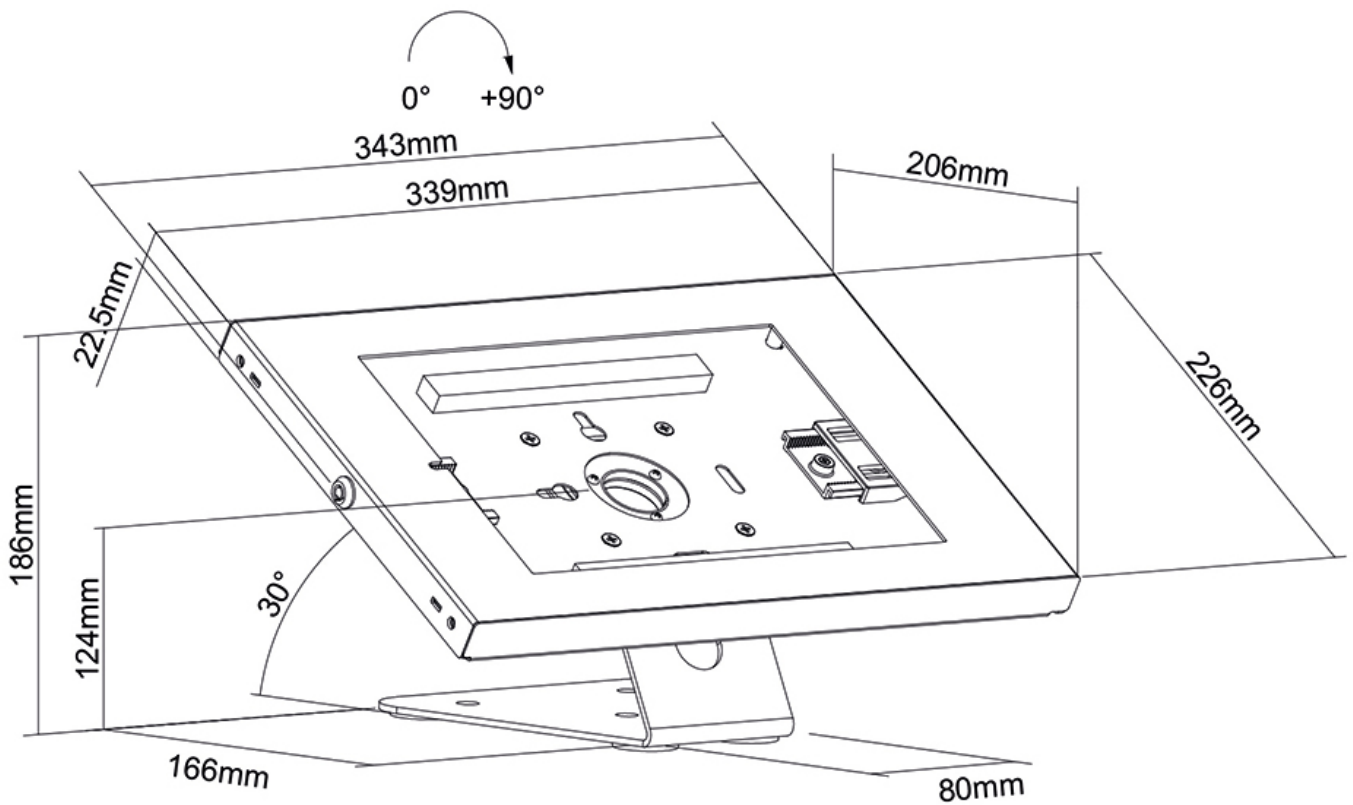
The tablet holder features an anti-theft lock and can be installed on both countertop and wall. Anti-skid pads protect the tablet from any scratches and the steel construction ensures safe and solid placement. The cable management system enables cables to be routed within the casing.

\* Suitable for:

- 9,7" iPad 5/6, iPad Air 1/2 and iPad Pro (Gen 1)
- 10,2" iPad 7/8/9 and 10,5" iPad Air 3, iPad Pro (Gen 2)
- 11" iPad Pro (Gen 3/4/5) and 10,9" iPad Air 4
- 10,4" Samsung Galaxy Tab A7
- 10,1" Samsung Galaxy Tab A
- 10,4" Samsung Galaxy Tab S6

DS15-630WH1

NEOMOUNTS COUNTERTOP/WALL MOUNT



Neomounts