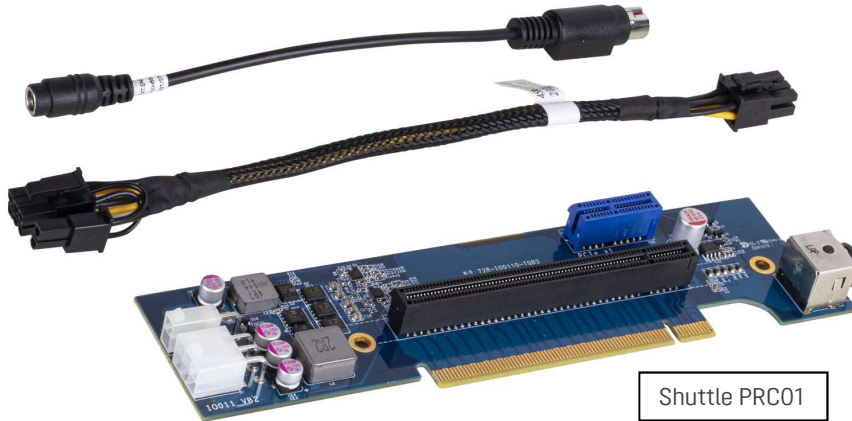


## XPC ACCESSORY PRC01

### EXPANSION KIT PRC01 FOR XPC SLIM XH510G2 — POWER SUPPLY UPGRADE FOR GRAPHICS CARDS

The PRC01 expansion kit consists of a PCIe riser card and two adapter cables. Installing this accessory in the Shuttle XPC slim XH510G2 allows for a second external power adapter to be connected, enabling the use of more powerful graphics cards. By default, graphics cards with a maximum power dissipation of up to 75 watts can be supplied via the PCIe slot. With PRC01, the graphics card can be supplied with additional power via an internal 6- or 8-pin power connector. Note: The second power adapter is not included with PRC01.



Shuttle PRC01

Optional accessory:  
Shuttle PE180 (180W power adapter)



PRC01 is compatible with  
Shuttle XPC slim XH510G2



#### CONTENTS

- PCIe Riser Card
- DC adapter cable for power adapter
- Internal power cable for the graphics card with 6+2 pin connector
- Quick Installation Guide

Note: the power adapter is not included

#### COMPATIBILITY

The PRC01 riser card is intended to be installed in the Shuttle XPC slim XH510G2.

#### WHICH POWER ADAPTER CAN BE USED?

- A power adapter is not included with PRC01.
- The 4-pin DC connector supports power supplies with these output characteristics:
  - output voltage: 19.5 V
  - max. output wattage: 270 W
- When using the supplied DC cable adapter, commercially available 90W or 180W power supplies with 2.5/5.5 mm DC connector can be used (see table below).

#### GRAPHICS CARD POWER CABLE

Das PRC01-Kit enthält ein internes Stromkabel mit einem sogenannten 6+2-Pin-Anschluss. Das bedeutet: es kann mit Grafikkarten verbunden, die einen 6-Pin- oder 8-Pin-Anschluss aufweisen.



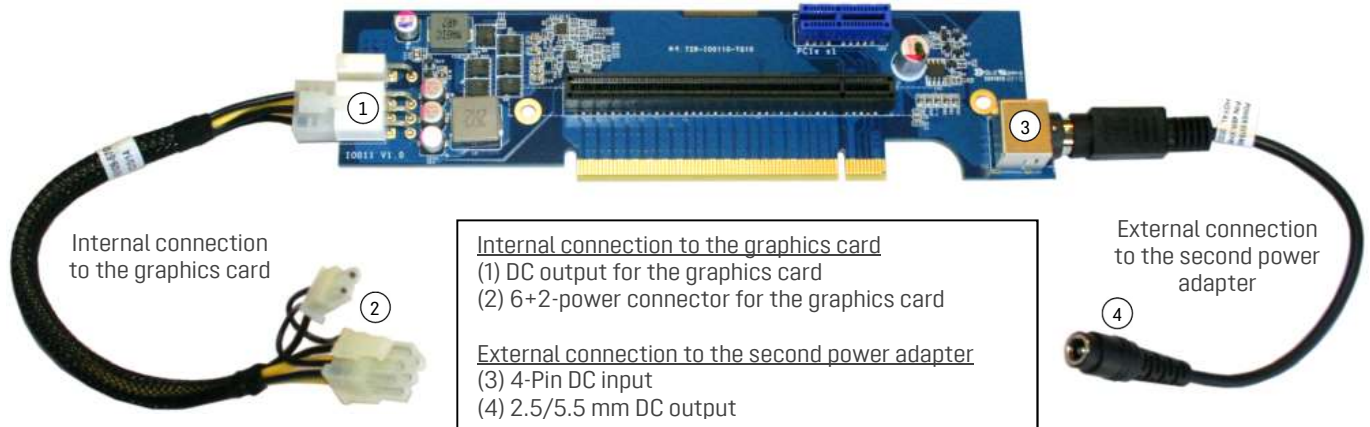
#### Configuration examples for XH510G2 with graphics card:

#	Optionales Accessories	Graphics card power connector	Graphics card power consumption
1	Shuttle XPC slim XH510G2 <u>without</u> accessories	not available	max. 75 Watts
2	Shuttle PRC01 plus 90W power adapter (e.g. Shuttle PE90)	6-pin	max. 150 Watts
3	Shuttle PRC01 plus 180W power adapter (e.g. Shuttle PE180)	8-pin	max. 225 Watts

Note: the maximum length of the graphics card is 20.8 cm, max. width: 45 mm (Dual Slot)

Photos for illustrative purposes only

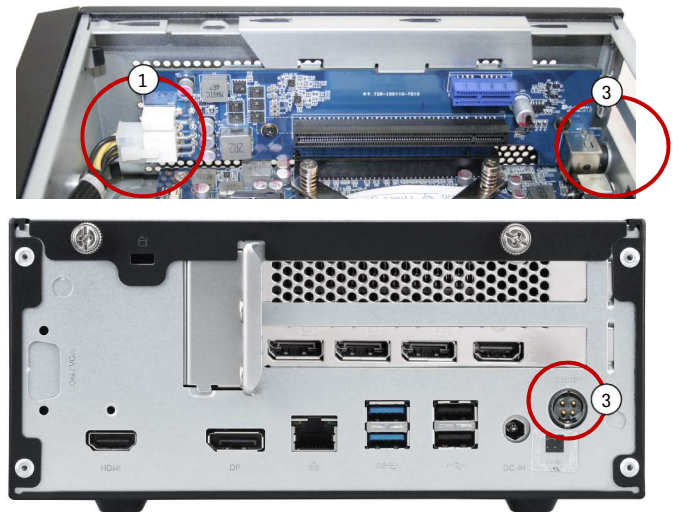
### PRC01 kit including adapter cables



### XH510G2 in standard version



### XH510G2 with built-in PRC01 riser card



### XH510G2 with two power adapters connected Graphics card: MSI GeForce RTX 3060 AERO ITX 12G OC

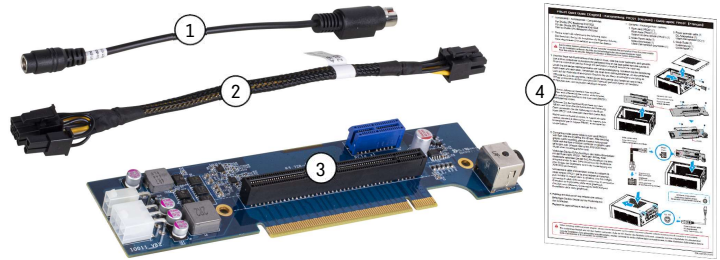


- (5) Standard power adapter of XH510G2 (180 W)
- (6) Additional power supply for the graphics card

## Installation Guide

### PRC01 scope of delivery

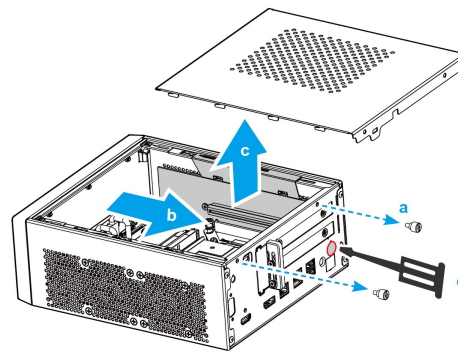
- (1) Power extender cable for power adapter
- (2) Molex Power cable for graphics card
- (3) Riser card
- (4) Installation Guide



**Due to safety reasons, please turn off your computer completely first and unplug it from the power supply.**

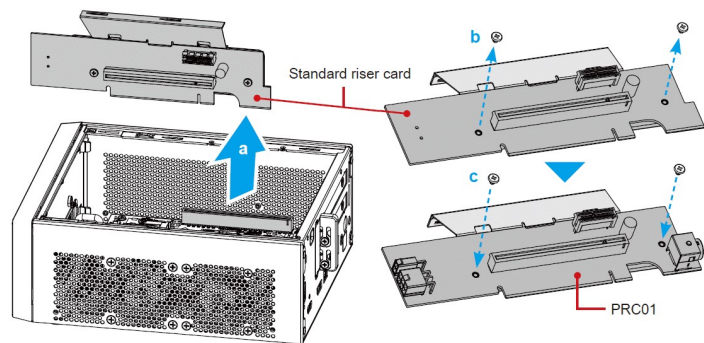
### Step 1

Unscrew these two thumbscrews of the chassis cover, slide the cover backwards and upwards. Use a 6-mm screwdriver to puncture the perforated hole on the back panel from the outside in. Once the screwdriver passes through the perforation, carefully remove the metal tag.



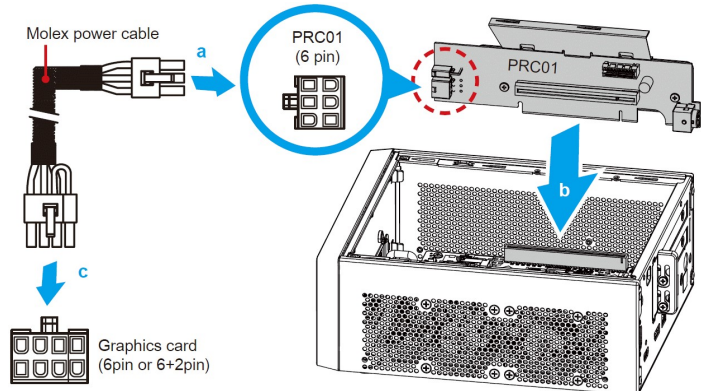
### Step 2

As shown, taking out standard riser card from system and unfastening the screws of the bracket, then switching the bracket to the riser card (PRC01) and fastening screws.



### Step 3

Connecting molex power cable to riser card (PRC01) with 6pin side and installing it to system. After finishing graphic card's installing, please connect molex power cable with the 6pin or 6+2pin connector on graphic card by 6+2pin side. (Please refer to the XH510G2 Quick Guide when installing graphic card)



### Step 4

Replace the back cover and refasten the screws.

### Step 5

Plug the Power Extender Cable into the 4-pin "Ext. 19V" connector. On the other side of the cable is a 2.5/5.5 mm connector for a second power adapter, which must be purchased separately (e.g. Shuttle PE180).

