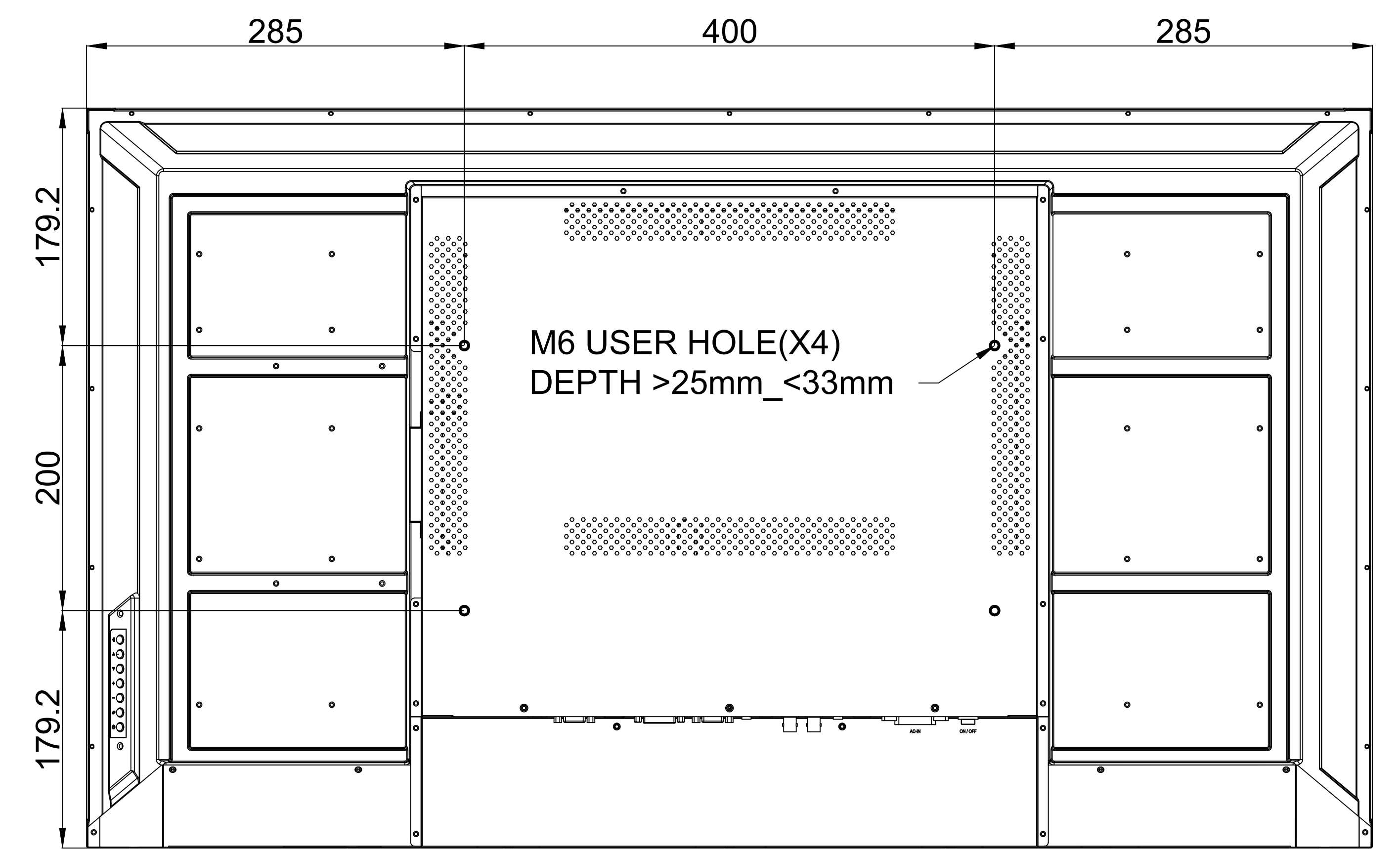
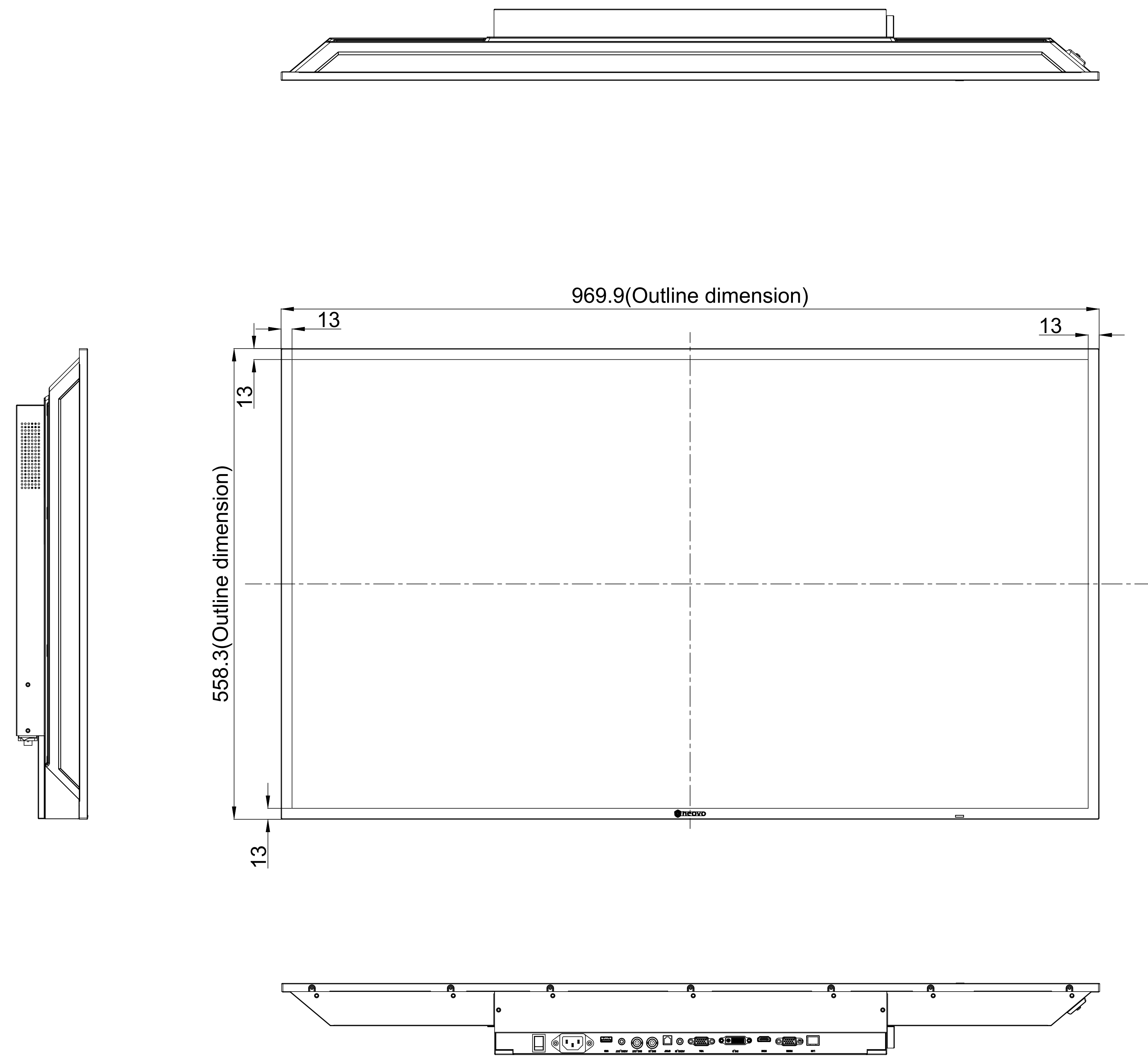


SMQ-4301  
 Net weight: 9.0Kg



SPECIFICATIONS SUBJECT TO CHANGE WITHOUT NOTICE.

 <a href="http://www.agneovo.com">www.agneovo.com</a>	Model Name:	
	SMQ-4301	
<small>THIS DRAWING ON THIS PRINT AND INFORMATION BELONG WITH AG Neovo. ANY REPRODUCTION IN PART OR WHOLE WITHOUT WRITTEN PERMISSION OF AG Neovo IS PROHIBITED.</small>	P/C:SM4310	
	SCALE	1:1