

Air conditioner

Quick Guide

AR**TXFY***

- Thank you for purchasing this Samsung air conditioner.
- Before operating this unit, please read this manual carefully and retain it for future reference.



SAMSUNG

Detailed User Manual

Checking on the website

- STEP1** Check the model name.
- STEP2** Go to the Samsung website (<http://www.samsung.com>) or Read the QR code.



- STEP3** Search and check User manual. SUPPORT
> Manuals & Downloads > Search model

Checking in Service Centre

- STEP1** Check the model name.
- STEP2** Contact Service Centre.
- STEP3** Ask for the user manual of your product model.

SmartThings app

Use the SmartThings app on your smartphone to control the air conditioner via the wireless Internet. To remotely control the air conditioner, you need to connect your smartphone to the air conditioner.

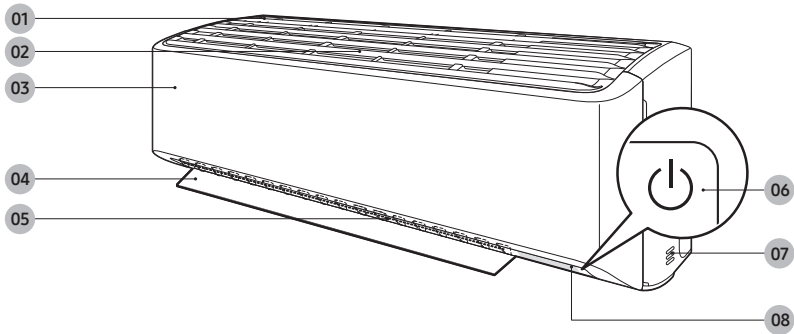
- Step 1. Checking the requirements for connection
- Step 2. Connecting your smartphone to the Wi-Fi network
- Step 3. Installing the SmartThings app
- Step 4. Configuring the SmartThings app
- Step 5. Connecting your smartphone to the air conditioner
- Step 6. Controlling the air conditioner with your smartphone

NOTE

- For more information about how to install the SmartThings app, connect it to the product, and control the product with it, read the QR code above and refer to detailed instructions in the user manual.

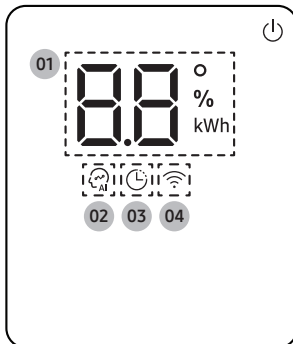
Indoor Unit Overview

The appearance of the actual product may differ slightly from the image below.



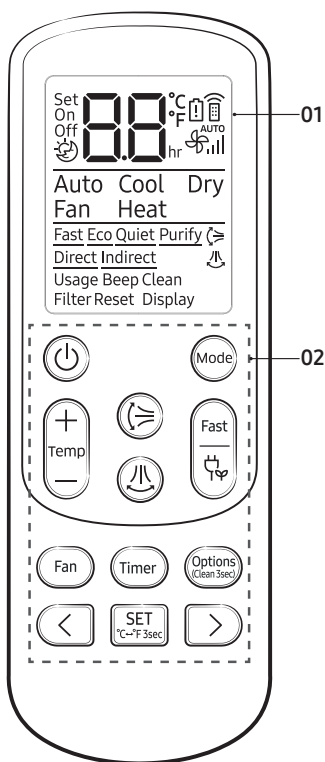
- 01 Air intake
- 02 Air filter
- 03 Front panel
- 04 Airflow blade (up and down)
- 05 Airflow blade (left and right)
- 06 Power button/Remote control receiver
- 07 Room temperature sensor
- 08 Display

Display



- 01 Temperature indicator (numeric)
Filter reset indicator (CF)
Electricity consumption indicator (numeric /
For the multi system, usage time indicator)
Auto clean indicator (C I)
Defrost indicator (dF)
- 02 AI Auto indicator
- 03 Timer indicator
good'sleep indicator
- 04 Wi-Fi indicator

Operating the Air Conditioner



Functions and Buttons

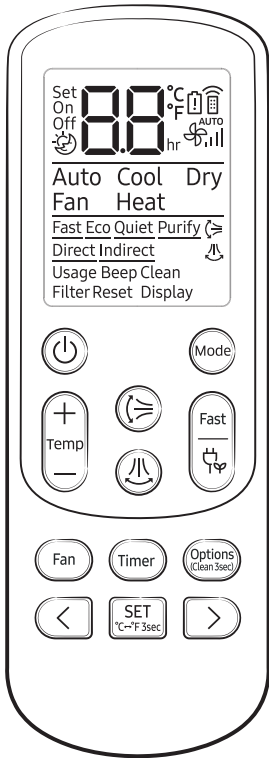
Function	Button and Selection	Display
Power On/Off		
AI Auto	► ► Select Auto.	
Auto	► ► Select Auto.	Auto
Cool	► ► Select Cool.	Cool
Dry	► ► Select Dry.	Dry
Fan	► ► Select Fan.	Fan
Heat	► ► Select Heat.	Heat
Fast	In Cool or Heat mode ►	Fast
Quiet	In Cool or Heat mode ► ► ► ► Select Quiet. ►	Quiet
Beep	► ► ► Select Beep. ► 	Beep
Display lighting	► ► ► Select Display. ► 	Display

01 Display

02 Button

NOTE

- Although Horizontal air flow (), Purify, Direct and Indirect is displayed on the remote control display, it is not available on this model.
- Features may differ depending on models.



Function	Button and Selection	Display
Wi-Fi (SmartThings)	In operation ▶ ▶ Hold down 4 seconds.	AP
Electricity consumption check	In operation ▶ ▶ ▶ Select Usage. ▶	Usage
Usage time check	In operation ▶ ▶ ▶ Select Usage. ▶	0.1 [°] / _% kWh
Eco	In Cool or Heat mode ▶	Eco
Timed on/off	▶ Select On or Off ▶ (Set the duration.) ▶ 	On Off 00 hr
good'sleep	In Cool or Heat mode ▶ (Select) ▶ (Set the duration.) ▶ 	80 hr

Cleaning

Auto clean function

Use the Auto clean function if the indoor unit produces odors.

Activating Auto clean

To activate Auto clean, press the  (Options) button for at least 3 seconds.

The indoor unit display shows:



Canceling Auto clean

To cancel Auto clean while it is running, follow the procedure below:



▶ Press and hold for 3 or more seconds.

Deactivating Auto clean

To deactivate Auto clean, follow the procedure below while the air conditioner is in operation or turned off:

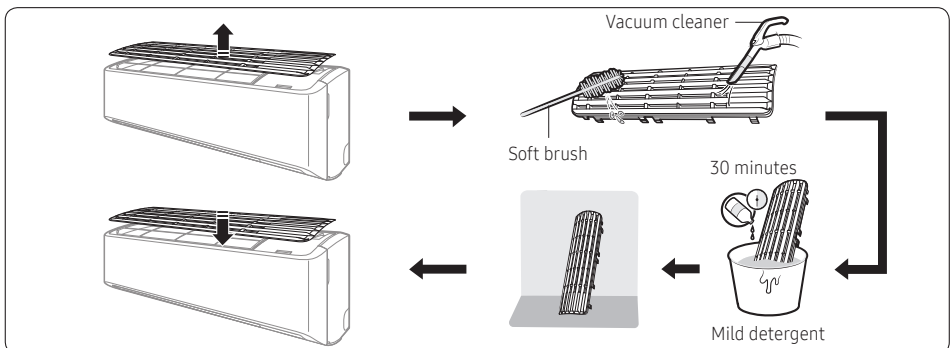


▶ Select Clean. ▶



Cleaning the filter

Clean the air filter every two weeks or when the  (filter-cleaning reminder) appears on the indoor unit display. The time between cleanings may vary, depending on the usage and environmental conditions.



-
- 1 Slide the filter off of the unit.
 - 2 Use a soft brush or vacuum cleaner to remove any dust or debris on the filter.
 - 3 Soak the filter in a solution of water and mild detergent for 30 minutes.
 - 4 Rinse the filter and let it air dry in a well-ventilated area that is out of direct sunlight.
 - 5 Reinstall the filter.
 - 6 Reset the filter-cleaning reminder:



QUESTIONS OR COMMENTS?

COUNTRY	CALL	OR VISIT US ONLINE AT
UK	0330 SAMSUNG (7267864)	www.samsung.com/uk/support
IRELAND (EIRE)	0818 717100	www.samsung.com/ie/support
GERMANY	06196 77 555 77	www.samsung.com/de/support
FRANCE	01 48 63 00 00	www.samsung.com/fr/support
ITALIA	800-SAMSUNG (800.7267864)	www.samsung.com/it/support
SPAIN	91 175 00 15	www.samsung.com/es/support
PORTUGAL	808 207 267	www.samsung.com/pt/support
LUXEMBURG	261 03 710	www.samsung.com/be_fr/support
NETHERLANDS	088 90 90 100	www.samsung.com/nl/support
BELGIUM	02-201-24-18	www.samsung.com/be/support (Dutch) www.samsung.com/be_fr/support (French)
NORWAY	21629099	www.samsung.com/no/support
DENMARK	707 019 70	www.samsung.com/dk/support
FINLAND	030-6227 515	www.samsung.com/fi/support
SWEDEN	0771 726 786	www.samsung.com/se/support
POLAND	801-172-678* lub +48 22 607-93-33* Specjalistyczna infolinia do obsługi zapytań dotyczących telefonów komórkowych: 801-672-678* * (opłata według taryfy operatora)	http://www.samsung.com/pl/support/
HUNGARY	0680SAMSUNG (0680-726-7864)	www.samsung.com/hu/support
AUSTRIA	0800 72 67 864 (0800-SAMSUNG)	www.samsung.com/at/support
SWITZERLAND	0800 726 786 (0800-SAMSUNG)	www.samsung.com/ch/support (German) www.samsung.com/ch_fr/support (French)
CZECH	800 - SAMSUNG (800-726786)	www.samsung.com/cz/support
SLOVAKIA	0800 - SAMSUNG (0800-726 786)	www.samsung.com/sk/support
CROATIA	072 726 786	www.samsung.com/hr/support
BOSNIA	055 233 999	www.samsung.com/support
North Macedonia	023 207 777	www.samsung.com/mk/support
MONTENEGRO	020 405 888	www.samsung.com/support
SLOVENIA	080 697 267 (brezplačna številka)	www.samsung.com/si/support
SERBIA	011 321 6899	www.samsung.com/rs/support
ALBANIA	045 620 202	www.samsung.com/al/support
BULGARIA	*3000 Цена на един градски разговор 0800 111 31 Безплатен за всички оператори	www.samsung.com/bg/support
ROMANIA	*8000 (apel in retea) 08008-726-78-64 (08008-SAMSUNG) Apel GRATUIT Atenție: Dacă efectuați apelul din rețeaua Digi (RCS/RDS), vă rugăm să ne contactați formând numărul Telverde fără ultimele două cifre, astfel: 0800872678.	www.samsung.com/ro/support
CYPRUS	8009 4000 only from landline, toll free	www.samsung.com/gr/support
GREECE	80111-SAMSUNG (80111 726 7864) only from land line (+30) 210 6897691 from mobile and land line	
LITHUANIA	8-800-77777	www.samsung.com/lt/support
LATVIA	8000-7267	www.samsung.com/lv/support
ESTONIA	800-7267	www.samsung.com/ee/support



This appliance is filled with R-32.