

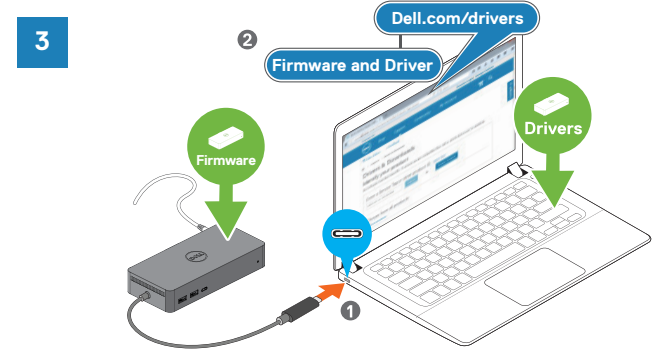
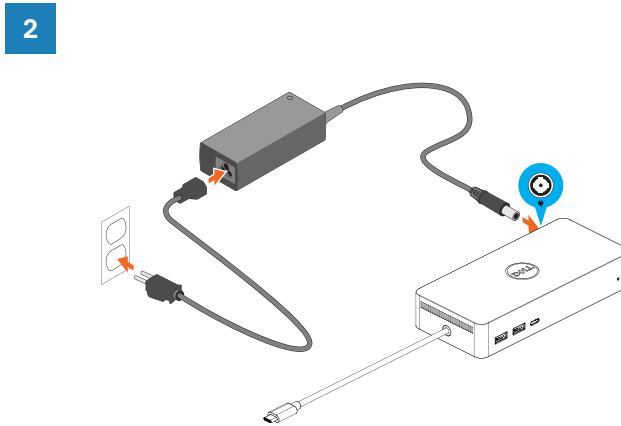
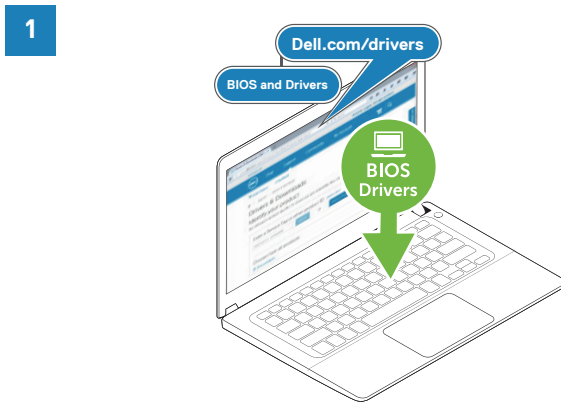
Dell Universal Dock

UD22

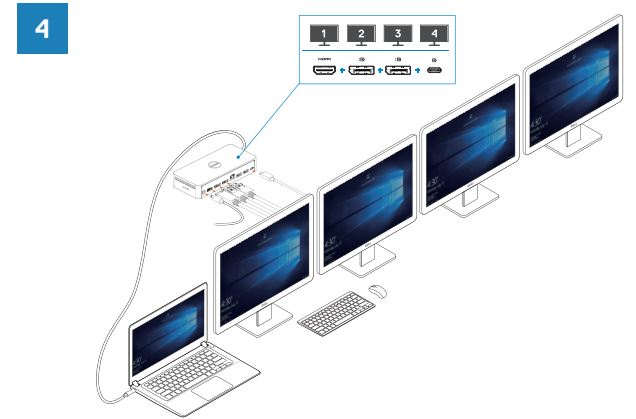
Quick Start Guide

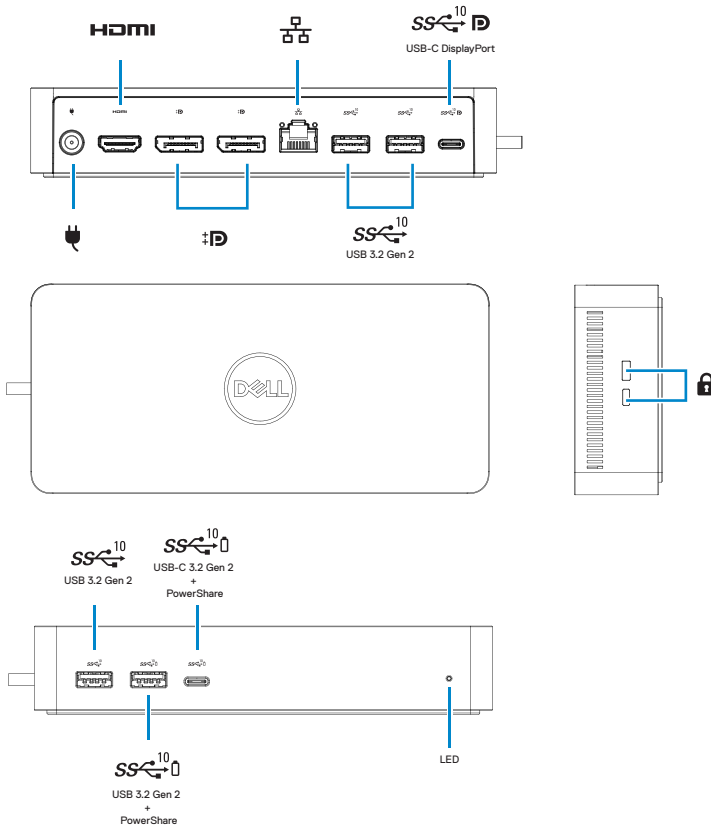
Important

You must update your computer's drivers and BIOS along with the Dell Universal Dock UD22 driver and firmware to the latest versions available at www.dell.com/drivers before using the Dock. Older BIOS versions and drivers could result in the Dell Universal Dock UD22 not being recognized by your computer or not functioning optimally. For more information, please refer to the User Guide.



NOTE: Computers requiring more than 90 W power input must also be connected to their own power adapter for charging and operating at full performance.





www.dell.com/support
www.dell.com/support/drivers
www.dell.com/contactdell
www.dell.com/regulatory_compliance

Regulatory model K22A

管制型号 | 安規型號
認可モデル | 규정 모델

Regulatory type K22A001

管制类型 | 安規類型
認可타입 | 규정 유형



OMRJW8A00



2022-05

© 2022 Dell Inc. or its subsidiaries.

Información para NOM, o Norma Oficial Mexicana

La información que se proporciona a continuación se mostrará en los dispositivos que se describen en este documento, en conformidad con los requisitos de la Norma Oficial Mexicana (NOM):

Importador:

Dell México, S.A. de C.V.
 Av. Javier Barros Sierra, No 540, Piso 10
 Col. Lomas de Santa Fe Delegación Álvaro Obregón
 Ciudad de México, C.P. 01219
 R.F.C: DME9204099R6

Modelo	K22A
Voltaje de alimentación	100 V CA–240 V CA
Frecuencia	50 Hz–60 Hz
Consumo de corriente de entrada	1,8 A
Voltaje de salida	19,5 V CC
Consumo de corriente de salida	6,7 A

商品名稱:	電腦擴充基座
型號:	UD22 (K22A)
額定電壓:	100 - 240 伏特
額定頻率:	50 - 60 赫茲
額定輸入電流:	1.8 安培
製造年份:	參考外箱標示或條碼標籤
製造號碼:	參考外箱條碼標籤
生產國別:	參考外箱標示
注意事項:	參考使用手冊
產品功能:	參考使用手冊
緊急處理方法:	參考使用手冊
進口商/委製商:	荷蘭商戴爾企業股份有限公司台灣分公司
進口商/委製商地址:	台北市敦化南路二段 218 號 20 樓
進口商/委製商電話:	0801-861-011

本產品符合臺灣RoHS標準CNS15663, 請見
Dell.com/learn/tw/zh/twcorp1/envt-info-materials

USB-C後連接埠: 具備電源供應與DisplayPort功能的USB-C 3.2 Gen 2
 (10 Gbps, 最大5 V/1.5 A 電源輸出)

USB-C前連接埠: 具備電源供應的USB-C 3.2 Gen 2
 (10 Gbps, 最大5 V/3 A 電源輸出)